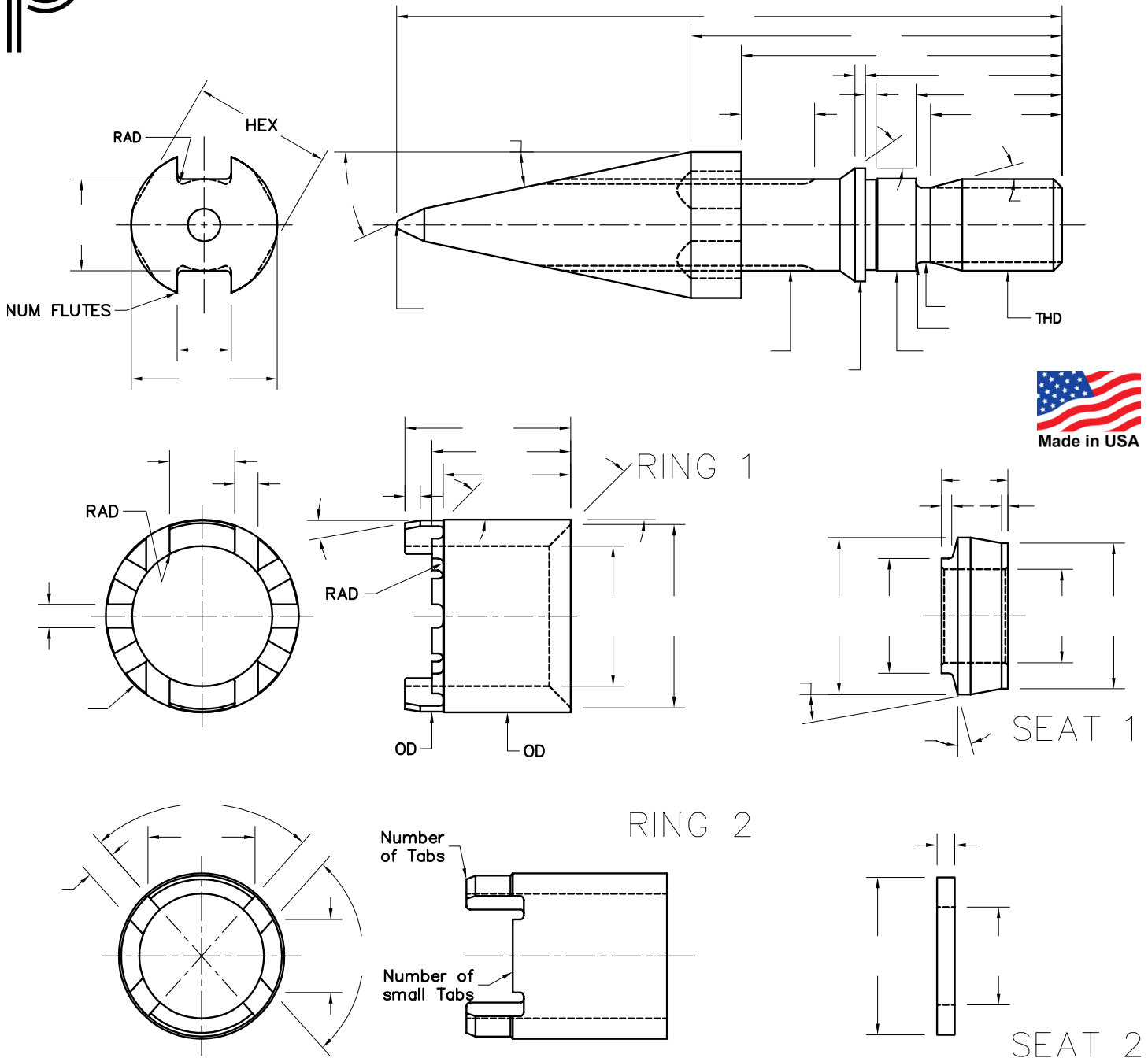




CASTLE RING ORDER FORM



PLEASE SPECIFY DIMENSIONS TO .001"

NOTE: PLEASE BE AWARE - THE DIMENSIONS YOU ARE GIVING US MAY BE FROM WORN OR DAMAGED PARTS AND MAY NOT BE ACCURATE. FOR BEST ACCURACY, WE RECOMMEND THAT YOU SEND THE PARTS TO US.

MACHINE MAKE & TYPE: _____

YOUR COMPANY _____ YOUR P.O. NUMBER _____

ADDRESS _____ FAX NUMBER _____

CITY _____ STATE _____ ZIP _____

PERSON TO CONTACT _____ TELEPHONE _____

© Copyright 2023 Plastic Process Equipment, Inc. Note: PPE customers may reproduce this form only in it's entirety.



PLASTIC PROCESS EQUIPMENT, INC.

EAST 8303 CORPORATE PARK DRIVE
 MACEDONIA, OHIO 44056-2300
 216-367-7000 • FAX: 216-367-7022
 TOLL FREE: 800-321-0562

WEST 6385 MONTESSOURI STREET
 LAS VEGAS, NEVADA 89113-1186
 702-433-6385 • FAX: 702-433-6388
 TOLL FREE: 800-258-8877

www.ppe.com
 e-mail: sales@ppe.com
Toll Free: USA, Canada & Mexico
800-362-0706
 Order Fax: 800-223-8305