



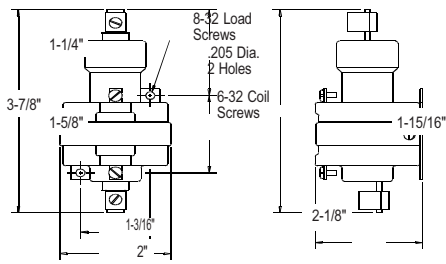
GENERAL SPECIFICATIONS

Frequency of Operation: 60 Per Minute Max.
Pull-in Voltage: On or before 75% of rated voltage
Operating Times: 50 ms close, 80 ms release.
Mounting: Vertical $\pm 10^\circ$

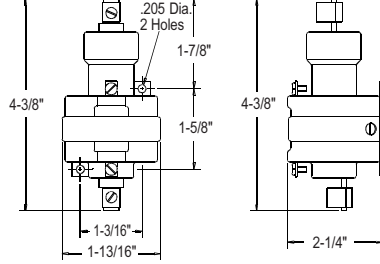
Contact Resistance: 30 & 35A=.003 ohm, 60A=.002 ohm, 100A=.001 ohm
Temperature Range: -35° up to 85°C
Dielectric Withstand: 2500 VAC RMS

Coil Terminals: #6 Binding Head Screws
Load Terminals: 30A #8 Binding Head Screws, 35A Pressure Connectors for AWG 4-14, 60 & 100A Pressure Connectors for AWG 2-12

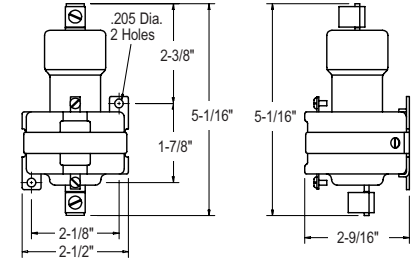
One Pole - 30 Amp



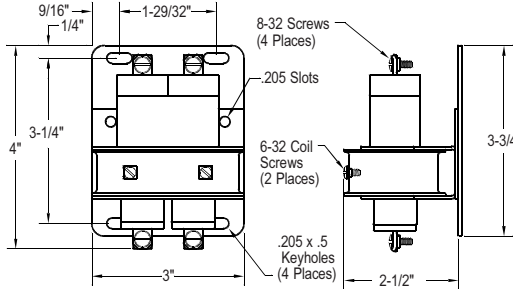
One Pole - 35 & 60 Amp



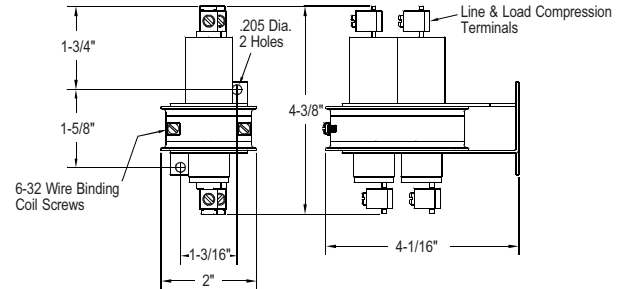
One Pole - 100 Amp



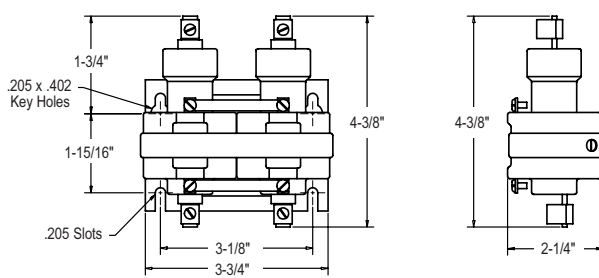
Two Pole - 30 Amp



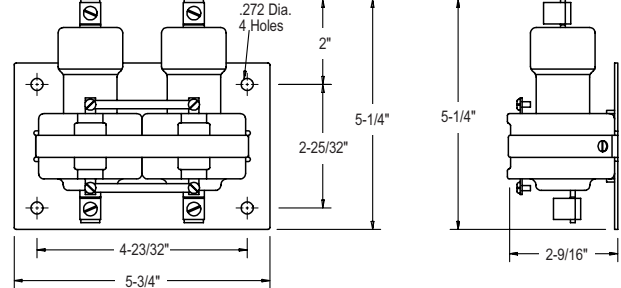
Two Pole - 30 Amp Narrow



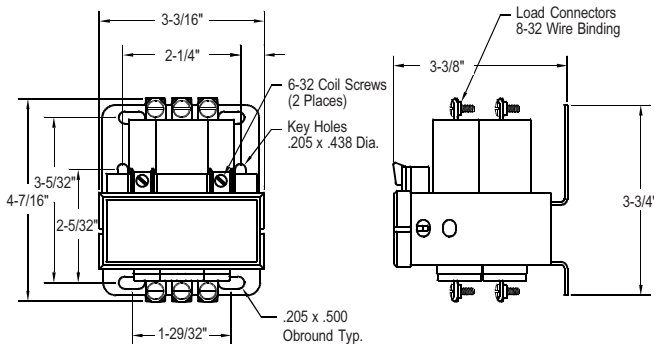
Two Pole - 35 & 60 Amp



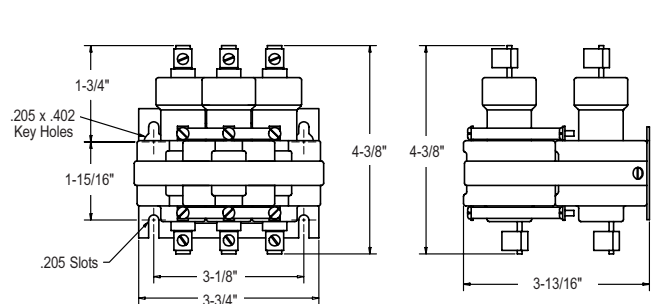
Two Pole - 100 Amp



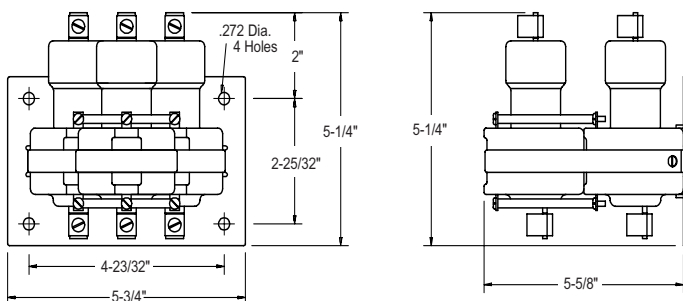
Three Pole - 30 Amp



Three Pole - 35 & 60 Amp



Three Pole - 100 Amp



Four Pole - 35 & 60 Amp

