



**GOOD  
QUALITY**

# BRASS BALL VALVES

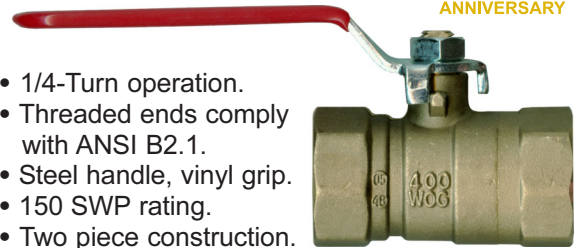


The Budget Brass Ball Valves are ideal for normal flow applications requiring 2-piece body construction.

As in all Budget Brass Ball Valves, bottom loaded pressure retaining stems and packing nuts thread to the body to provide an extra margin of safety.

## FEATURES

- Standard port for normal flow.
- Bottom loaded stem.
- Packing nut threaded to body.
- Chrome plated brass ball.
- 400 WOG rating.
- 1/4-Turn operation.
- Threaded ends comply with ANSI B2.1.
- Steel handle, vinyl grip.
- 150 SWP rating.
- Two piece construction.
- PTFE seats & seals.
- Temp. rating 300° F max.



## FEMALE X FEMALE

SIZE	CV RATING*	PORT SIZE DIAMETER	PART NO.	PRICES	
				1-9	10+
1/4"	10.8	25/64" (.391)	BBV-14	\$6.50	\$6.25
3/8"	10.8	25/64" (.391)	BBV-38	\$6.50	\$6.25
1/2"	10.8	25/64" (.391)	BBV-12	\$6.50	\$6.25
3/4"	23.5	19/32" (.594)	BBV-34	\$9.50	\$9.15
1"	43.9	25/32" (.781)	BBV-10	\$12.75	\$12.25
1-1/4"	48.0	1" (.980)	BBV-114	\$22.50	\$21.85
1-1/2"	70.0	1-1/4" (1.260)	BBV-112	\$31.50	\$29.85

## MALE X FEMALE

SIZE	CV RATING*	PORT SIZE DIAMETER	PART NO.	PRICES	
				1-9	10+
1/4"	6.0	3/8" (.380)	BBV-1414	\$6.50	\$6.25
3/8"	6.0	3/8" (.380)	BBV-3838	\$6.50	\$6.25
1/2"	8.0	3/8" (.380)	BBV-1212	\$6.90	\$6.60
3/4"	20.0	19/32" (.590)	BBV-3434	\$11.25	\$10.75
1"	26.0	3/4" (.750)	BBV-1010	\$17.50	\$16.75
1-1/4"	48.0	1" (.980)	BBV-11414	\$26.50	\$25.50
1-1/2"	70.0	1-1/4" (1.260)	BBV-11212	\$39.80	\$38.25

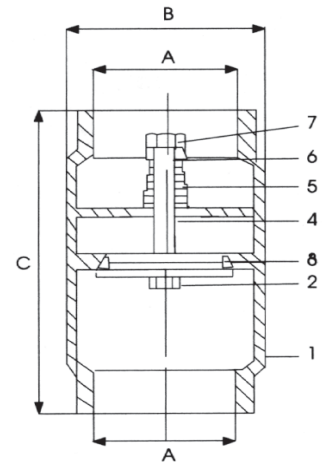


# BRASS IN-LINE CHECK VALVES

## S.S. SPRING LOADED BRONZE POPPET

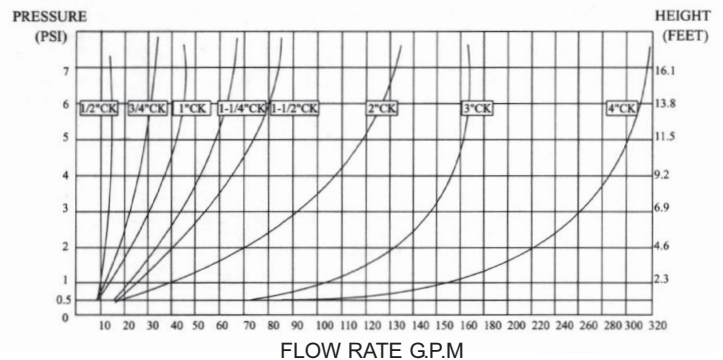
For positive sealing & self-cleaning  
Ensures against leakage.

- -4° to 248°F Temperature Range
- 200 psi WOG; 125 psi SATURATED STEAM
- Corrosion resistant material
- Cast Red Brass body
- S.S. Spring
- Neoprene O-ring Seal
- Can be used vertically or horizontally
- Individually boxed
- Hydraulic Burst test result: 232 Kg/cm<sup>2</sup>



## BRASS CHECK VALVE (inches)

Size	A NPT	B	C	Part No.	Price
1/4"	1/4"	1.26	2.28	CV14	\$7.16
3/8"	3/8"	1.50	2.28	CV38	\$7.18
1/2"	1/2"	1.77	2.43	CV12	\$6.32
3/4"	3/4"	2.13	2.72	CV34	\$8.18
1"	1"	2.36	3.23	CV10	\$8.88
1-1/4"	1-1/4"	3.03	3.62	CV114	\$14.92
1-1/2"	1-1/2"	4.21	4.04	CV112	\$19.77
2"	2"	5.51	5.04	CV20	\$27.88



## PLASTIC PROCESS EQUIPMENT, INC.

8303 CORPORATE PARK DRIVE  
MACEDONIA, OHIO 44056-2300  
216-367-7000 • FAX: 216-367-7022  
TOLL FREE: 800-321-0562

6385 MONTESSOURI STREET  
LAS VEGAS, NEVADA 89113-1186  
702-433-6385 • FAX: 702-433-6388  
TOLL FREE: 800-258-8877

[www.ppe.com](http://www.ppe.com)  
e-mail: [sales@ppe.com](mailto:sales@ppe.com)

Toll Free: USA, Canada & Mexico  
**800-362-0706**

Order Fax: 800-223-8305