



Made in USA

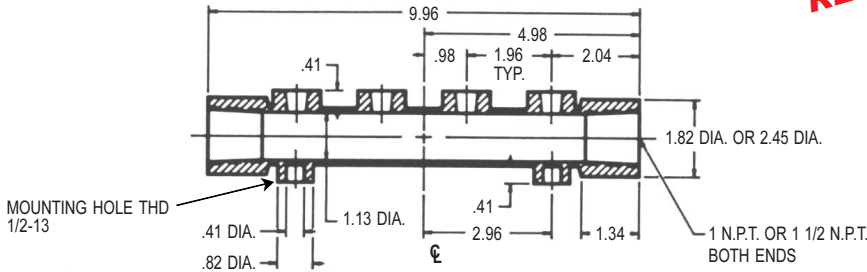
ISO-9002

MANUFACTURED IN A QUALITY SYSTEM CERTIFIED FACILITY.

NYLON MANIFOLDS SPECIFICATIONS



AVAILABLE IN RED OR BLUE

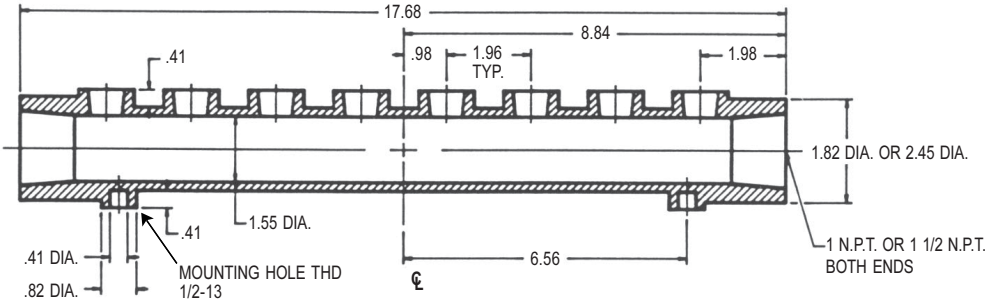


Supply Size/Part No.

To order add: R for RED
B for BLUE

1" NPT { NM4114
 NM4138

1 1/2" NPT { NM411238
 NM411212

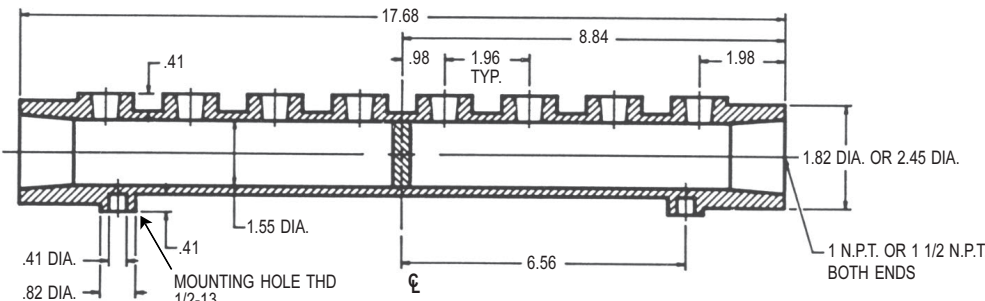


Supply Size/Part No.

To order add: R for RED
B for BLUE

1" NPT { NM8114
 NM8138

1 1/2" NPT { NM811238
 NM811212

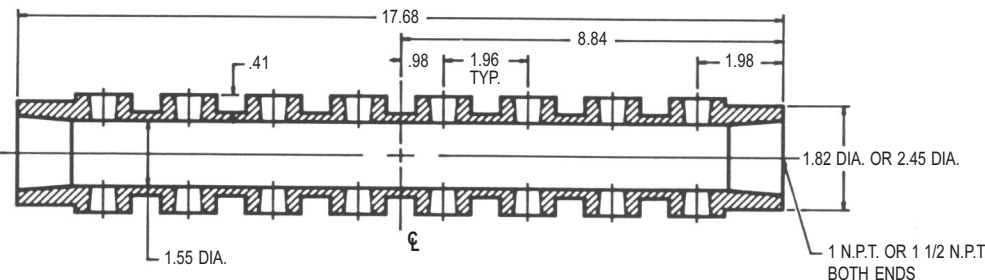


Supply Size/Part No.

To order add: R for RED
B for BLUE

1" NPT { NM44114
 NM44138

1 1/2" NPT { NM4411238
 NM4411212

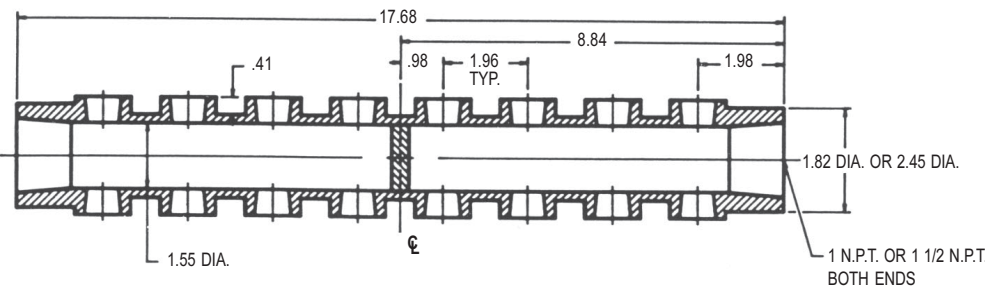


Supply Size/Part No.

To order add: R for RED
B for BLUE

1" NPT { NM16114
 NM16138

1 1/2" NPT { NM1611238
 NM1611212



Supply Size/Part No.

To order add: R for RED
B for BLUE

1" NPT { NM88114
 NM88138

1 1/2" NPT { NM8811238
 NM8811212



PLASTIC PROCESS EQUIPMENT, INC.

8303 CORPORATE PARK DRIVE
MACEDONIA, OHIO 44056-2300
216-367-7000 • FAX: 216-367-7022
TOLL FREE: 800-321-0562

6385 MONTESSOURI STREET
LAS VEGAS, NEVADA 89113-1186
702-433-6385 • FAX: 702-433-6388
TOLL FREE: 800-258-8877

www.ppe.com

e-mail: sales@ppe.com

Toll Free: USA, Canada & Mexico

800-362-0706

Order Fax: 800-223-8305