



# STAINLESS EXTENSION PLUGS



## 200 SERIES

## 300 SERIES

## 500 SERIES

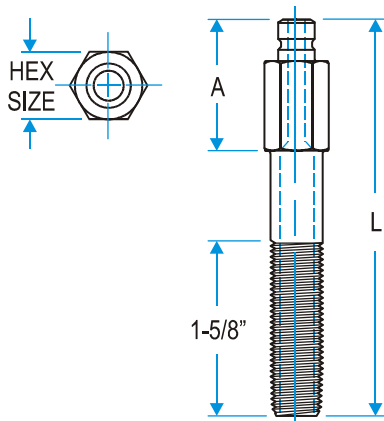
1/16" NPT PIPE EXTENSIONS						1/16" NPT PIPE EXTENSIONS						1/8" NPT PIPE EXTENSIONS						1/8" NPT PIPE EXTENSIONS					
PART NO.	L	PIPE	HEX	A	PRICE	PART NO.	L	PIPE	HEX	A	PRICE	PART NO.	L	PIPE	HEX	A	PRICE	PART NO.	L	PIPE	HEX	A	PRICE
	LENGTH	THREAD SIZE	SIZE				LENGTH	THREAD SIZE	SIZE				LENGTH	THREAD SIZE	SIZE				LENGTH	THREAD SIZE	SIZE		
250X212SS	2-1/2"	1/16"	3/8"	11/16"	\$4.95	350X212SS	2-1/2"	1/16"	9/16"	7/8"	\$7.40	251X212SS	2-1/2"	1/8"	7/16"	11/16"	\$6.15	351X212SS	2-1/2"	1/8"	9/16"	7/8"	\$7.40
250X4SS	4"	1/16"	3/8"	13/16"	\$6.20	350X4SS	4"	1/16"	9/16"	1"	\$9.15	251X4SS	4"	1/8"	7/16"	1"	\$7.40	351X4SS	4"	1/8"	9/16"	1"	\$9.15
250X512SS	5-1/2"	1/16"	3/8"	13/16"	\$7.65	350X512SS	5-1/2"	1/16"	9/16"	1"	\$10.90	251X512SS	5-1/2"	1/8"	7/16"	1"	\$8.90	351X512SS	5-1/2"	1/8"	9/16"	1"	\$10.90
250X7SS	7"	1/16"	3/8"	13/16"	\$9.95	350X7SS	7"	1/16"	9/16"	1"	\$13.55	251X7SS	7"	1/8"	7/16"	1"	\$10.65	351X7SS	7"	1/8"	9/16"	1"	\$13.55
<b>1/4" NPT PIPE EXTENSIONS</b>						<b>1/4" NPT PIPE EXTENSIONS</b>						<b>1/4" NPT PIPE EXTENSIONS</b>						<b>1/4" NPT PIPE EXTENSIONS</b>					
252X212SS	2-1/2"	1/4"	9/16"	7/8"	\$6.95	352X212SS	2-1/2"	1/4"	9/16"	7/8"	\$7.40	252X212SS	2-1/2"	1/4"	9/16"	7/8"	\$6.95	352X212SS	2-1/2"	1/4"	9/16"	7/8"	\$7.40
252X4SS	4"	1/4"	9/16"	1-1/4"	\$9.25	352X4SS	4"	1/4"	9/16"	1-1/4"	\$9.15	252X4SS	4"	1/4"	9/16"	1-1/4"	\$9.25	352X4SS	4"	1/4"	9/16"	1-1/4"	\$9.15
252X512SS	5-1/2"	1/4"	9/16"	1-1/4"	\$11.65	352X512SS	5-1/2"	1/4"	9/16"	1-1/4"	\$10.90	252X512SS	5-1/2"	1/4"	9/16"	1-1/4"	\$11.65	352X512SS	5-1/2"	1/4"	9/16"	1-1/4"	\$10.90
252X7SS	7"	1/4"	9/16"	1-1/4"	\$14.40	352X7SS	7"	1/4"	9/16"	1-1/4"	\$13.55	252X7SS	7"	1/4"	9/16"	1-1/4"	\$14.40	352X7SS	7"	1/4"	9/16"	1-1/4"	\$13.55
252X812SS	8-1/2"	1/4"	9/16"	1-1/4"	\$17.10	352X812SS	8-1/2"	1/4"	9/16"	1-1/4"	\$16.50	252X812SS	8-1/2"	1/4"	9/16"	1-1/4"	\$17.10	352X812SS	8-1/2"	1/4"	9/16"	1-1/4"	\$16.50
252X10SS	10"	1/4"	9/16"	1-1/4"	\$19.70	352X10SS	10"	1/4"	9/16"	1-1/4"	\$18.85	252X10SS	10"	1/4"	9/16"	1-1/4"	\$19.70	352X10SS	10"	1/4"	9/16"	1-1/4"	\$18.85
<b>3/8" NPT PIPE EXTENSIONS</b>						<b>3/8" NPT PIPE EXTENSIONS</b>						<b>3/8" NPT PIPE EXTENSIONS</b>						<b>3/8" NPT PIPE EXTENSIONS</b>					
353X212SS	2-1/2"	3/8"	11/16"	1"	\$8.65	553X212SS	2-1/2"	3/8"	13/16"	1-1/8"	\$10.75	353X212SS	2-1/2"	3/8"	11/16"	1"	\$8.65	553X212SS	2-1/2"	3/8"	13/16"	1-1/8"	\$10.75
353X4SS	4"	3/8"	11/16"	1-1/4"	\$12.25	553X4SS	4"	3/8"	13/16"	1-3/8"	\$13.80	353X4SS	4"	3/8"	11/16"	1-1/4"	\$12.25	553X4SS	4"	3/8"	13/16"	1-3/8"	\$13.80
353X512SS	5-1/2"	3/8"	11/16"	1-1/4"	\$15.55	553X512SS	5-1/2"	3/8"	13/16"	1-3/8"	\$16.75	353X512SS	5-1/2"	3/8"	11/16"	1-1/4"	\$15.55	553X512SS	5-1/2"	3/8"	13/16"	1-3/8"	\$16.75
353X7SS	7"	3/8"	11/16"	1-1/4"	\$18.60	553X7SS	7"	3/8"	13/16"	1-3/8"	\$20.55	353X7SS	7"	3/8"	11/16"	1-1/4"	\$18.60	553X7SS	7"	3/8"	13/16"	1-3/8"	\$20.55
353X812SS	8-1/2"	3/8"	11/16"	1-1/4"	\$21.65	553X812SS	8-1/2"	3/8"	13/16"	1-3/8"	\$24.20	353X812SS	8-1/2"	3/8"	11/16"	1-1/4"	\$21.65	553X812SS	8-1/2"	3/8"	13/16"	1-3/8"	\$24.20
353X10SS	10"	3/8"	11/16"	1-1/4"	\$24.95	553X10SS	10"	3/8"	13/16"	1-3/8"	\$28.15	353X10SS	10"	3/8"	11/16"	1-1/4"	\$24.95	553X10SS	10"	3/8"	13/16"	1-3/8"	\$28.15
<b>1/2" NPT PIPE EXTENSIONS</b>						<b>1/2" NPT PIPE EXTENSIONS</b>						<b>1/2" NPT PIPE EXTENSIONS</b>						<b>1/2" NPT PIPE EXTENSIONS</b>					
354X212SS	2-1/2"	1/2"	7/8"	1-1/8"	\$12.60	554X212SS	2-1/2"	1/2"	7/8"	1-1/8"	\$10.75	354X212SS	2-1/2"	1/2"	7/8"	1-1/8"	\$12.60	554X212SS	2-1/2"	1/2"	7/8"	1-1/8"	\$10.75
354X4SS	4"	1/2"	7/8"	1-1/2"	\$15.25	554X4SS	4"	1/2"	7/8"	1-1/2"	\$13.80	354X4SS	4"	1/2"	7/8"	1-1/2"	\$15.25	554X4SS	4"	1/2"	7/8"	1-1/2"	\$13.80
354X512SS	5-1/2"	1/2"	7/8"	1-1/2"	\$18.90	554X512SS	5-1/2"	1/2"	7/8"	1-1/2"	\$16.75	354X512SS	5-1/2"	1/2"	7/8"	1-1/2"	\$18.90	554X512SS	5-1/2"	1/2"	7/8"	1-1/2"	\$16.75
354X7SS	7"	1/2"	7/8"	1-1/2"	\$22.95	554X7SS	7"	1/2"	7/8"	1-1/2"	\$20.55	354X7SS	7"	1/2"	7/8"	1-1/2"	\$22.95	554X7SS	7"	1/2"	7/8"	1-1/2"	\$20.55
354X812SS	8-1/2"	1/2"	7/8"	1-1/2"	\$26.20							354X812SS	8-1/2"	1/2"	7/8"	1-1/2"	\$26.20						
354X10SS	10"	1/2"	7/8"	1-1/2"	\$29.25							354X10SS	10"	1/2"	7/8"	1-1/2"	\$29.25						

**STAINLESS STEEL**  
LONGER LASTING - RESISTS WEAR!



**MORE SIZES**

**LOWER PRICES**



# BRASS STOP PLUGS

**3 SIZES**

- High quality brass.
- Stops coolant flow on hoses with flow-thru couplers.
- Prevents accidents by plugging sockets on unused hoses and manifold ports.
- Keeps couplers and seals clean when not in use.
- Eliminates draining hoses during mold changes.



200 Series (1/4" Hole)			
Part No.	Fits Socket Series No.	Prices	
		1-24	25+
CP-200	200 (1/4" Hole)	\$1.25	\$1.20

300 Series (3/8" Hole)			
Part No.	Fits Socket Series No.	Prices	
		1-24	25+
CP-300	300 (3/8" Hole)	\$1.30	\$1.25

500 Series (1/2" Hole)			
Part No.	Fits Socket Series No.	Prices	
		1-24	25+
CP-500	500 (1/2" Hole)	\$2.45	\$2.35



## PLASTIC PROCESS EQUIPMENT, INC.

8303 CORPORATE PARK DRIVE  
MACEDONIA, OHIO 44056-2300  
216-367-7000 • FAX: 216-367-7022  
TOLL FREE: 800-321-0562

6385 MONTESSOURI STREET  
LAS VEGAS, NEVADA 89113-1186  
702-433-6385 • FAX: 702-433-6388  
TOLL FREE: 800-258-8877

www.ppe.com  
e-mail: sales@ppe.com

Toll Free: USA, Canada & Mexico  
**800-362-0706**

Order Fax: 800-223-8305