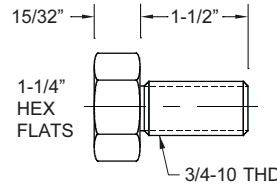
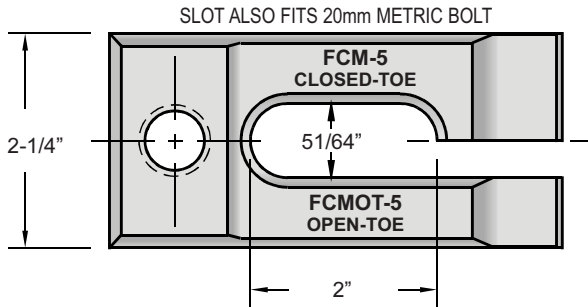




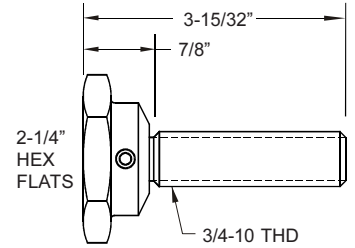
4-3/4" FORGED HEAVY DUTY

MOLD CLAMPS

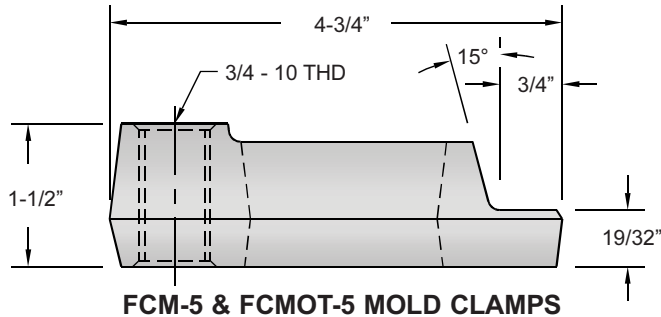
FOR 5/8-11 AND 3/4-10 THD. PLATEN HOLES
CLOSED-TOE & OPEN-TOE • FORGED & HEAT TREATED



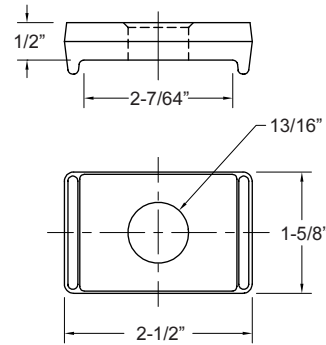
AB-1 HEIGHT ADJUSTMENT BOLT



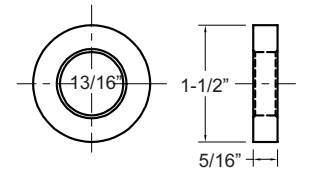
SAB3/4 SWIVEL HEIGHT ADJUSTMENT BOLT



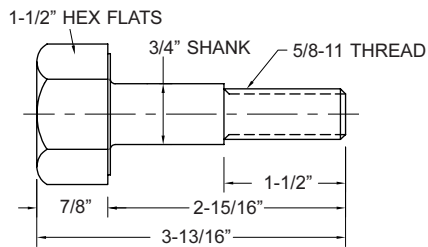
FCM-5 & FCMOT-5 MOLD CLAMPS



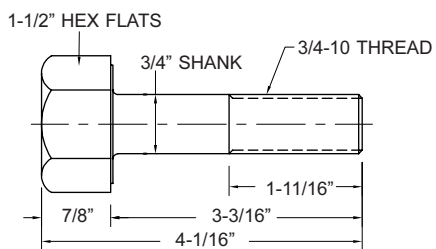
FW-112 NO-TURN FORGED WASHER



W-112 WASHER



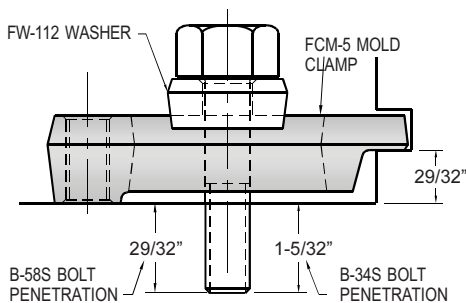
MODEL B-58S BOLT



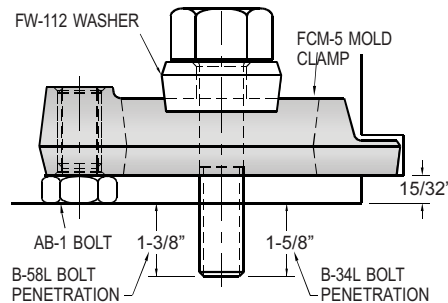
MODEL B-34S BOLT

PART NO.	DESCRIPTION	QUANTITY PRICING			
		1-8	9-23	24-99	100+
FCM-5	4-3/4" CLOSED-TOE MOLD CLAMP	\$23.05	\$22.35	\$21.70	
FCMOT-5	4-3/4" OPEN-TOE MOLD CLAMP	\$25.70	\$24.90	\$24.15	
B-58S	5/8-11 HEAVY DUTY BOLT	\$15.00	\$14.50	\$14.00	
B-34S	3/4-10 HEAVY DUTY BOLT	\$17.00	\$16.50	\$16.00	
AB-1	3/4-10 HEIGHT ADJUSTMENT BOLT	\$5.45	\$5.25	\$5.00	
G8341015	3/4-10 GRADE 8 BOLT	\$1.80	\$1.80	\$1.75	
SAB3/4	3/4-10 SWIVEL HEIGHT ADJUSTMENT BOLT	\$12.90	\$12.25	\$11.65	
FW-112	FORGED NO-TURN WASHER 13/16" I.D.	\$4.50	\$4.30	\$4.15	\$4.00
W-112	WASHER 13/16" I.D.	\$1.43	\$1.39	\$1.33	\$1.25

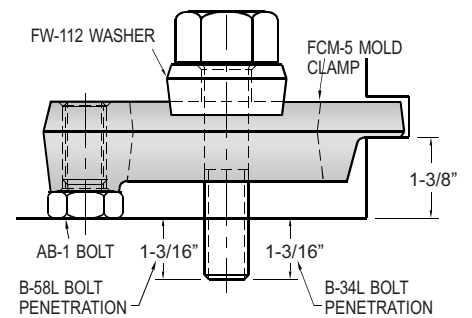
FOR 29/32" MOLD FLANGES



FOR 15/32" MOLD FLANGES



FOR 1-3/8" MOLD FLANGES



PLASTIC PROCESS EQUIPMENT, INC.

8303 CORPORATE PARK DRIVE
MACEDONIA, OHIO 44056-2300
216-367-7000 • FAX: 216-367-7022
TOLL FREE: 800-321-0562

6385 MONTESSOURI STREET
LAS VEGAS, NEVADA 89113-1186
702-433-6385 • FAX: 702-433-6388
TOLL FREE: 800-258-8877

www.ppe.com

e-mail: sales@ppe.com

Toll Free: USA, Canada & Mexico

800-362-0706

Order Fax: 800-223-8305