



# LOCATING RING SMART CAPS™ MOLD STATUS IDENTIFICATION MARKERS



## -FEATURES-

- Smart Caps snap on or off your mold locating rings quickly.
- Tells at a glance, even 50 feet away, the status of your molds.
- Holds a condition note or work order safely under the Smart Cap.
- Three Status Smart Caps available  
Green Cap: Ready To Mold  
Red Cap: Mold Needs Work  
Yellow Cap: Mold Needs Preventive Maintenance before storage
- Fits 4" dia. locating rings.

PART NO.	DESCRIPTION	QUANTITY PRICES	
		1-9	10+
SCG100	GREEN: READY TO MOLD	\$2.62 ea.	\$2.49 ea.
SCR150	RED: NEEDS WORK		
SCY200	YELLOW: P.M. REQ'D		

MIX OR MATCH FOR QUANTITY PRICE BREAKS



*"Now our molds tell us what needs to happen. The mold doesn't sit, waiting for someone to find out if it needs work. And we never hang a mold until it's ready. It's so simple"*  
Darryl Lawrence, President  
Excelerated Mold Group



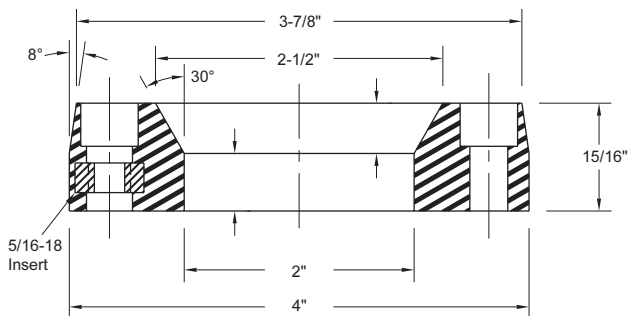
# 4" PLASTIC LOCATING RING



*DEVELOPED BY A  
PLASTICS MOLDER  
FOR USE BY  
ANY MOLDER  
WHO WILL USE THEM!*

## -FEATURES-

- Made of 30% fiber filled polycarbonate, engineering grade material.
- Tensile strength, 16,500 psi @ 73°  
Flexural strength, 23,000 psi  
Compressive strength, 21,000 psi  
Shear strength, 9,500 psi
- Two (2) molded-in aluminum 5/16-18 threaded inserts for easy ring removal.
- Standard hole patterns (1-21/32" Radius).
- Replaces common 6501 & 6501 LN Rings.
- Helps reduce platen damage and nozzle heater band contact.
- Form fits to work platens.
- Easier to handle for faster set ups.
- Easy to clean of leaking plastics.
- Prevents electrical shorts.
- Withstands 300°F continuous temperature.
- Made in the U.S.A.



PART NO.	QUANTITY PRICES		
	1-11	12-24	25+
PR6501	\$8.15 ea.	\$7.75 ea.	\$7.35 ea.

SHIPPED FROM STOCK



## PLASTIC PROCESS EQUIPMENT, INC.

**EAST** 8303 CORPORATE PARK DRIVE  
MACEDONIA, OHIO 44056-2300  
216-367-7000 • FAX: 216-367-7022  
TOLL FREE: 800-321-0562

**WEST** 6385 MONTESSOURI STREET  
LAS VEGAS, NEVADA 89113-1186  
702-433-6385 • FAX: 702-433-6388  
TOLL FREE: 800-258-8877

[www.ppe.com](http://www.ppe.com)  
e-mail: sales@ppe.com

Toll Free: USA, Canada & Mexico  
**800-362-0706**

Order Fax: 800-223-8305