

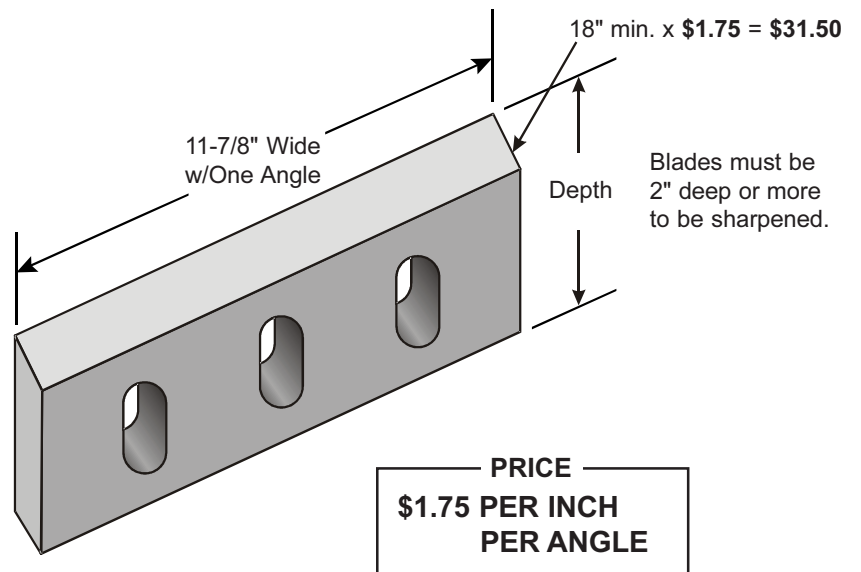
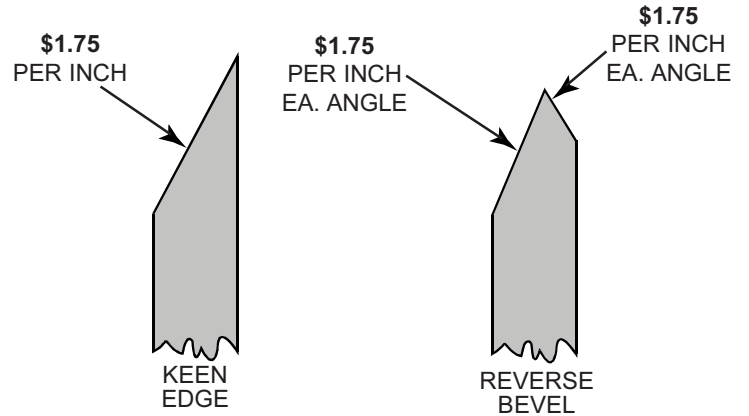


GRANULATOR KNIFE BLADE RESHARPENING SERVICE

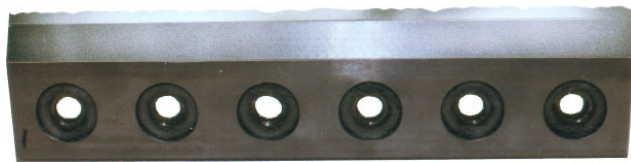


DONE BY FACTORY EXPERTS

- Rotating blades should be sent in sets for matched grinding and balancing.
- Stationary blades can be sharpened individually.
- Specify machine make and type when you send them for resharpening.
- Tell us if there are any minimum resharpening dimensions.
- Delivery 10-14 days.
- The quality of our work is worth the cost!
- With PPE you know your costs up front.
- With PPE don't send photos, no phone call for quotes, no RMA needed! Just send us your granulator knife blades.

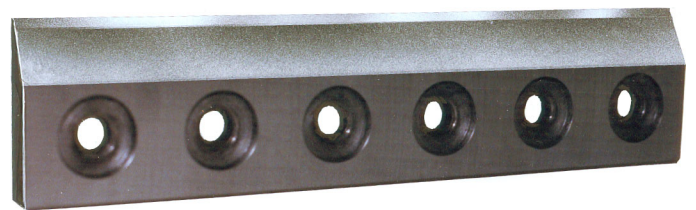


- Blades under 18" wide minimum charge:
Single Angle \$31.50 ea.
Double Angle \$63.00 ea.



BEFORE

**DELIVERY
2 WEEKS**



AFTER

WE GUARANTEE OUR WORK



PLASTIC PROCESS EQUIPMENT, INC.

EAST 8303 CORPORATE PARK DRIVE
MACEDONIA, OHIO 44056-2300
216-367-7000 • FAX: 216-367-7022
TOLL FREE: 800-321-0562

WEST 6385 MONTESSOURI STREET
LAS VEGAS, NEVADA 89113-1186
702-433-6385 • FAX: 702-433-6388
TOLL FREE: 800-258-8877

www.ppe.com
e-mail: sales@ppe.com
Toll Free: USA, Canada & Mexico
800-362-0706
Order Fax: 800-223-8305