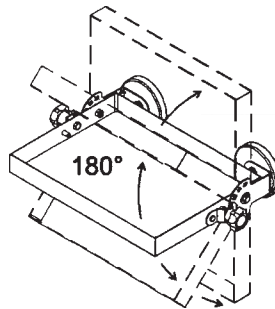
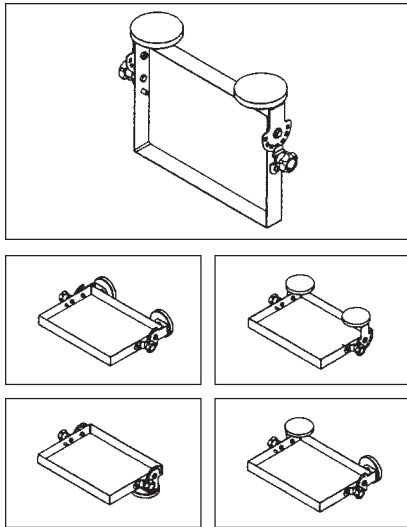




TOOL TRAY WITH MAGNETIC MOUNTS

ATTACHES TO ANY METAL SURFACE FULLY ADJUSTABLE

- Capacity: 5 lbs with protective boot
10 lbs without protective boot
- 11" x 7-7/8" x 1-1/8"
- Painted steel - black
- Strong twin magnets with protective boot, won't scratch
- Fully adjustable to 180°
- 7 adjustment positions with spring loaded adjusting knob
- Fully portable



For:
Shop, Office, Tool
Carts, Service Trucks,
Filing Cabinets, etc, etc.

DTMM Magnetic Mount

TOOL TRAY
with Magnetic Mounts
Part No. **MAT1107**

1-11	\$32.50 ea.
12+	\$31.00 ea.
Spare Magnetic Mount Part No. DTMM	\$6.25 ea.



UTILITY TOOL CART

3 TIER LIGHT DUTY



NOTE: Always put heavier pieces
on bottom shelf for more stability.

- 36" High x 18" Wide x 26" Long
- Mat'l: 30% Glass Filled PP
- 6 Tray Dividers
- 4" Casters, 2 free & 2 Locking
- Shipped K.D. in a carton
- Assembles in 10 minutes
- 12 Corner Tool Holders
- 24 Small Nut & Bolt Holders
- 42 Small Tool Holes
- 12" between Shelves
- 4 each 1-3/16" Aluminum Corner Posts

UTILITY TOOL CART
Part No. **WS1052C**

1-3	\$75.00 ea.
4+	\$71.50 ea.

SPECIAL SALE
~~\$75.00~~



PLASTIC PROCESS EQUIPMENT, INC.

EAST 8303 CORPORATE PARK DRIVE
MACEDONIA, OHIO 44056-2300
216-367-7000 • FAX: 216-367-7022
TOLL FREE: 800-321-0562

WEST 6385 MONTESSOURI STREET
LAS VEGAS, NEVADA 89113-1186
702-433-6385 • FAX: 702-433-6388
TOLL FREE: 800-258-8877

www.ppe.com
e-mail: sales@ppe.com

Toll Free: USA, Canada & Mexico
800-362-0706

Order Fax: 800-223-8305