



# MATERIAL BINS

## FOR USE WITH VACUUM OR VENTURI LOADERS



**ISO-9001**  
MANUFACTURED IN A  
QUALITY SYSTEM CERTIFIED  
FACILITY.

**6  
SIZES**

### The Better HEAVY DUTY Transport Bins

PPE Material Bins are designed to accept a material pickup probe or suction wand for vacuum or venturi loaders. The material bins have a probe chute angled to a chamber at the lowest point in the bin for positive continuous material suction. All models are molded of LLDPE and offer an opaque view of your material level. They are a full molded container, including the base, which adds to the overall stability, making them safer to use and move about your plant.

#### IDEAL FOR HANDLING:

- Re grind
- Short Run Materials
- Bagged Materials
- Feeding Purging Materials

#### - FEATURES -

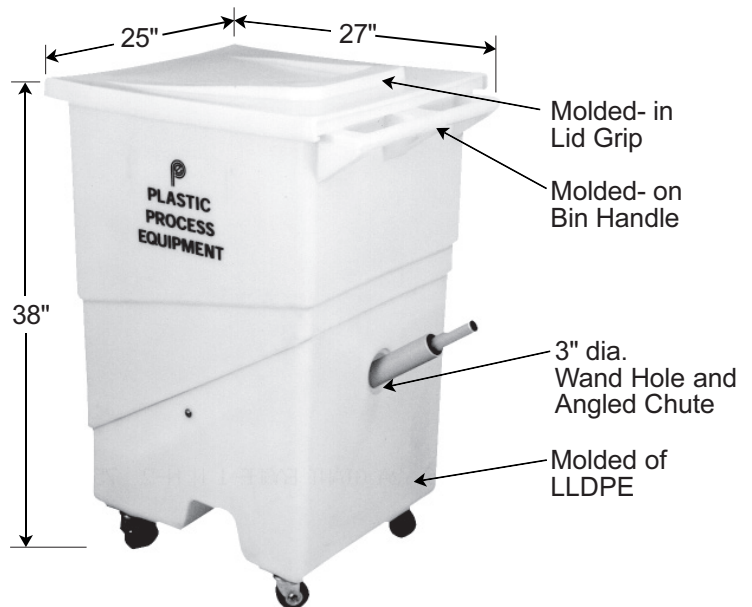
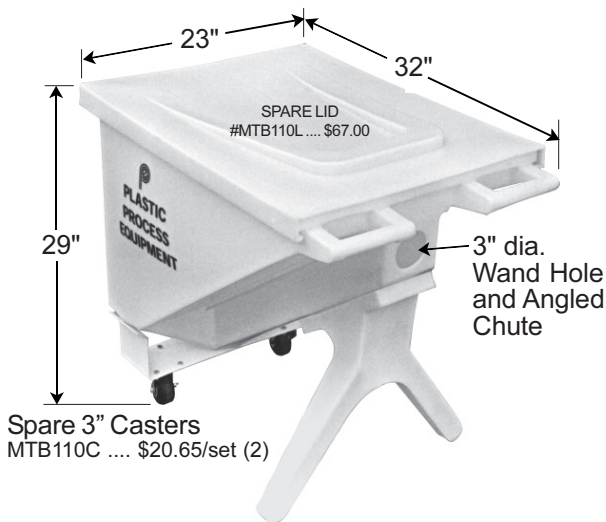
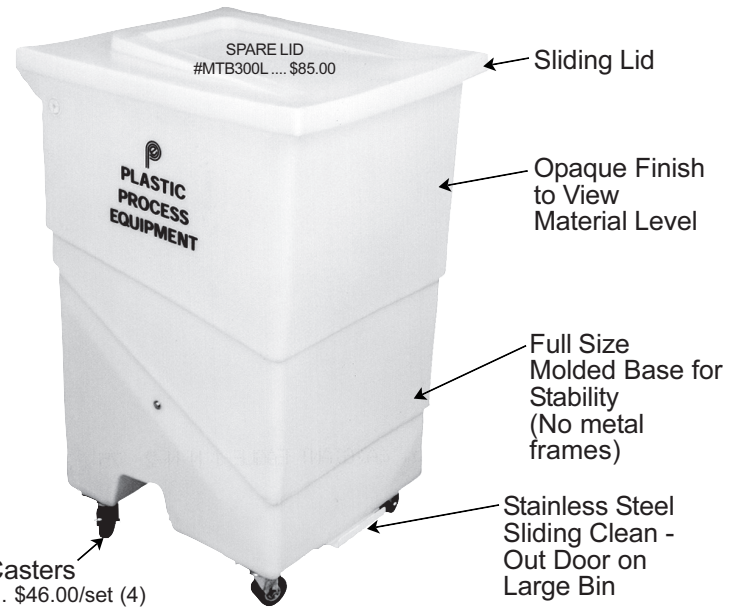
- Six Sizes Available
- Molded of LLDPE
- FDA compliant in title 21 section 177.1520
- Molded-On Rugged Handles
- Portable, Caster Mounted
- Full Open Sliding Lids w/Handle
- Sliding Clean Out Door on Bottom of Large Bin
- Full Size Molded Base for Stability. No Metal Frames!
- Smooth Interior Surfaces Makes Cleaning a Snap.
- Lid Slides Off for Cleaning.



#### Transparent Acrylic Door Kit

(includes: Acrylic Door, Hinge & Bolts)

- DMTB1 (fits MTB110) ..... \$16.80
- DMTB3 (fits MTB300) ..... \$17.55



PART NO.	CAPACITY	CUBIC FT.	PRICES EACH	
			1-5	6+
MTB110	110 LBS.	3.00	\$267.00	\$254.00

Can Ship via UPS.

PART NO.	CAPACITY	CUBIC FT.	PRICES EACH	
			1-5	6+
MTB300	300 LBS.	8.40	\$515.00	\$489.00

Must Ship Motor Freight.



## PLASTIC PROCESS EQUIPMENT, INC.

**EAST** 8303 CORPORATE PARK DRIVE  
MACEDONIA, OHIO 44056-2300  
216-367-7000 • FAX: 216-367-7022  
TOLL FREE: 800-321-0562

**WEST** 6385 MONTESSOURI STREET  
LAS VEGAS, NEVADA 89113-1186  
702-433-6385 • FAX: 702-433-6388  
TOLL FREE: 800-258-8877

[www.ppe.com](http://www.ppe.com)

e-mail: [sales@ppe.com](mailto:sales@ppe.com)

Toll Free: USA, Canada & Mexico

**800-362-0706**

Order Fax: 800-223-8305