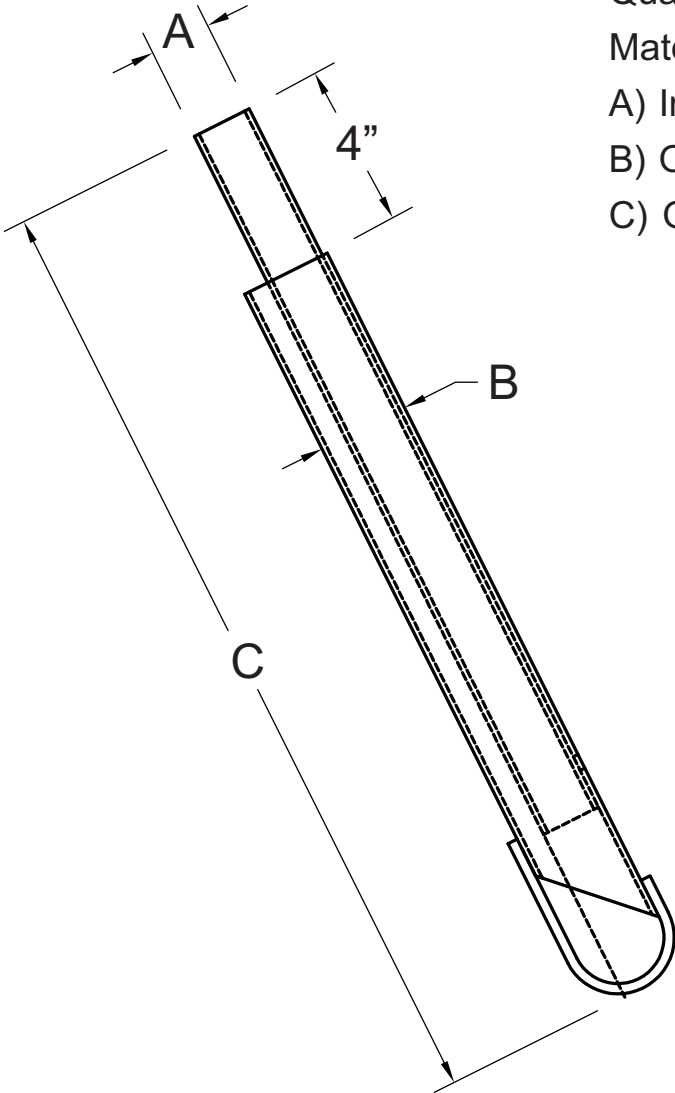




SPECIAL VACUUM PROBES FOR HOPPER LOADERS



Quantity: _____

Material: Aluminum Stainless

A) Inside Tube OD: _____

B) Outside Tube OD: _____

C) Overall Length: _____

PROBE END
GUARD STD.
(1/4" ROUND MATERIAL)

Customer Name: _____

Customer Contact: _____

Phone: _____

Fax: _____

PPE Sales Person: _____ DATE _____



PLASTIC PROCESS EQUIPMENT, INC.

8303 CORPORATE PARK DRIVE, MACEDONIA (Cleveland), OHIO 44056, U.S.A.

216-367-7000 • Toll Free: 800-321-0562 • Fax: 216-367-7022 • Order Fax: 800-223-8305

www.ppe.com • e-mail: sales@ppe.com

**Toll Free: USA & Canada
800-362-0706**

PPE WEST 3615 Walnut Avenue, Chino, California 91710, U.S.A.
909-627-8511 • 800-258-8877 • Fax: 909-627-8101

PPE SOUTH 5402-D Pioneer Park Blvd., Tampa, Florida 33634, U.S.A.
813-886-6015 • 800-282-6783 • Fax: 813-886-0960