



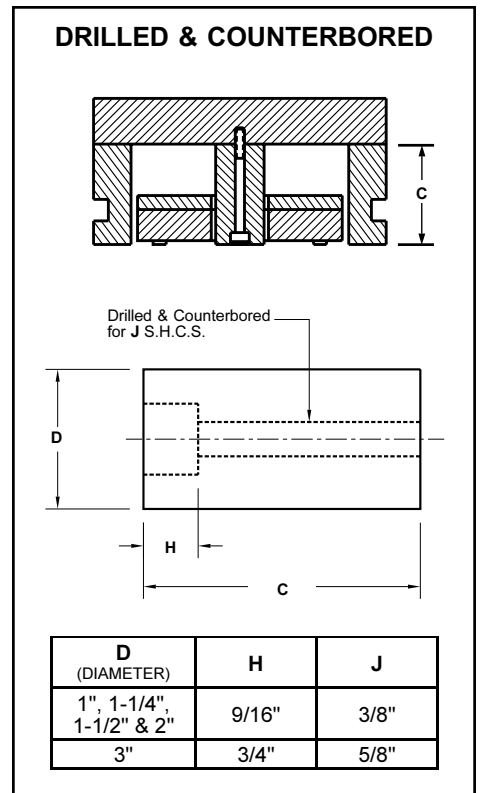
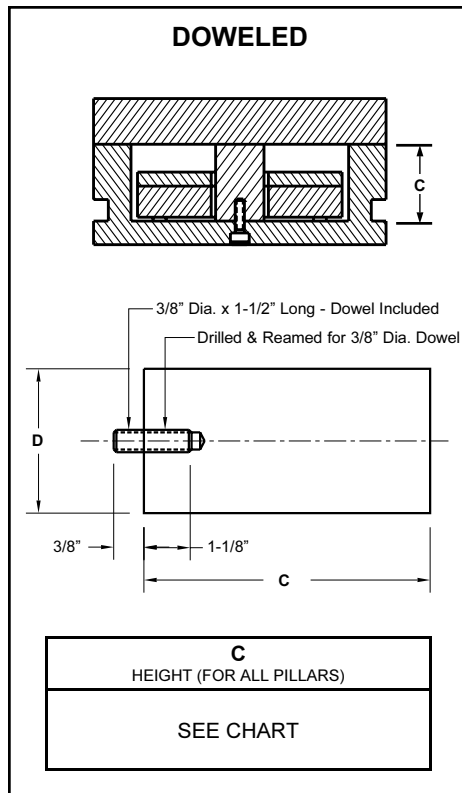
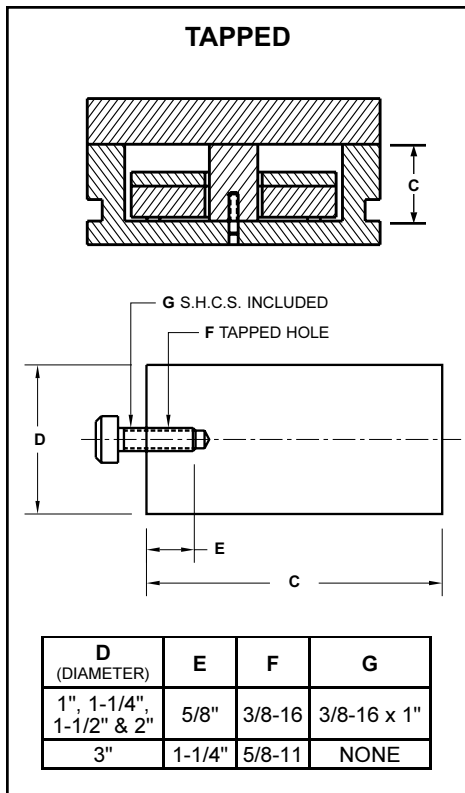
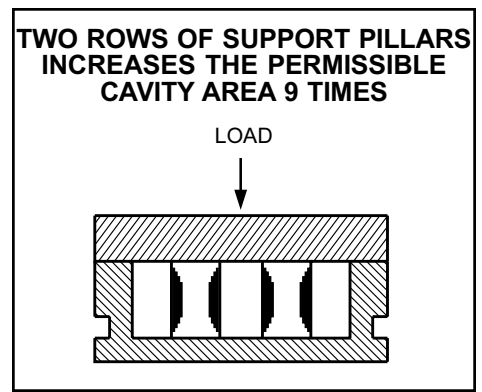
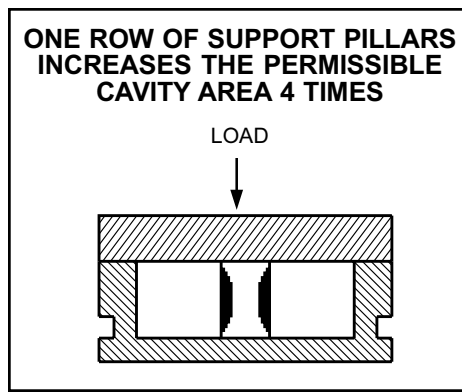
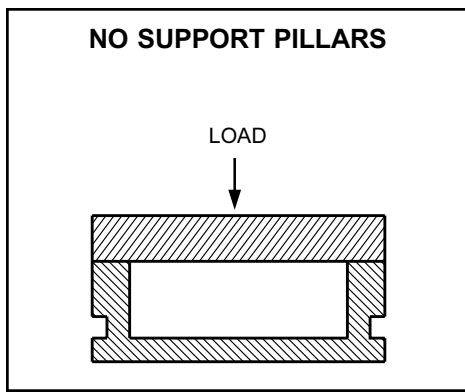
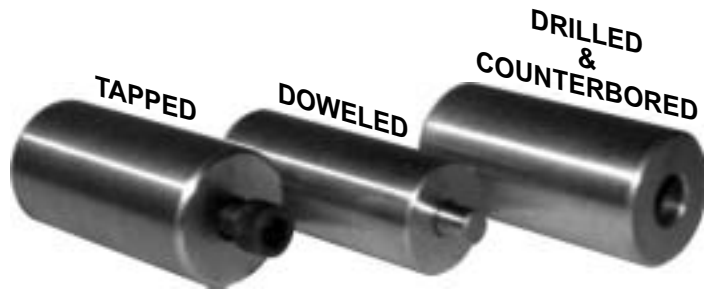
SUPPORT PILLARS

INDUSTRY STANDARD

S.A.E. 1040-1045 STEEL

Pillar height (C dimension) is finished flat and parallel.

Support pillars should be used because they greatly increase the capacity of the mold to support the projected area of the cavities, runner and sprue. By providing additional support, they prevent deflection of the mold. The necessity of using support pillars is demonstrated by using standard strength of materials formulas. For example, an 11-7/8" x 15" mold base without support pillars and with a maximum permissible load on the support plate, will permit 14 square inches of cavity areas without deflecting enough to cause flash. The use of one row of support pillars on center will quadruple this permissible cavity area to 56 square inches. Two rows will give nine times the area or 126 square inches. Please refer to the drawings below.



PLASTIC PROCESS EQUIPMENT, INC.

www.ppe.com • e-mail: sales@ppe.com

PPE WEST 6385 Montessouri Street, Las Vegas, Nevada 89113
702-433-6385 • 800-258-8877 • Fax: 702-433-6388

PPE SOUTH 11218 Challenger Avenue, Odessa, Florida 33556
727-834-8888 • 800-282-6783 • Fax: 727-834-8873

8303 CORPORATE PARK DRIVE, MACEDONIA (Cleveland), OHIO 44056, USA

Toll Free: USA, Canada & Mexico

PPE

216-367-7000 • Toll Free: 800-321-0562 • Fax: 216-367-7022 • Order Fax: 800-223-8305

800-362-0706



SUPPORT PILLARS

INDUSTRY STANDARD

S.A.E. 1040-1045 STEEL

Pillar height (C dimension) is finished flat and parallel.

SIZES & PRICES

D DIAMETER	C +.001 HEIGHT-.001	TAPPED		DOWELED		DRILLED & COUNTERBORED		NET WEIGHT
		PART NO.	PRICE EA.	PART NO.	PRICE EA.	PART NO.	PRICE EA.	
1"	2.500	TH1025	N/A	DL1025	N/A	DC1025	N/A	.6
	3.000	TH1030		DL1030		DC1030		.7
	3.500	TH1035		DL1035		DC1035		.8
	4.000	TH1040		DL1040		DC1040		.9
	4.500	TH1045		DL1045		DC1045		\$7.00
1-1/4"	2.000	TH1220	N/A	DL1220	N/A	DC1220	N/A	0.7
	2.500	TH1225		DL1225		DC1225		.9
	3.000	TH1230		DL1230		DC1230		1.0
	3.500	TH1235		DL1235		DC1235		1.2
	4.000	TH1240		DL1240		DC1240		1.4
	4.500	TH1245		DL1245		DC1245		1.6
	5.000	TH1250		DL1250		DC1250		1.7
6.000	TH1260	DL1260	DC1260	2.1				
1-1/2"	2.000	TH1520	N/A	DL1520	N/A	DC1520	N/A	1.0
	2.500	TH1525		DL1525		DC1525		1.3
	3.000	TH1530		DL1530		DC1530		1.5
	3.500	TH1535		DL1535		DC1535		1.8
	4.000	TH1540		DL1540		DC1540		2.0
	4.500	TH1545		DL1545		DC1545		2.3
	5.000	TH1550		DL1550		DC1550		2.5
5.500	TH1555	DL1555	DC1555	2.8				
6.000	TH1560	DL1560	DC1560	3.0				
1-3/4"	2.500	TH1725	N/A	DL1725	N/A	DC1725	N/A	1.7
	3.000	TH1730		DL1730		DC1730		2.1
	3.500	TH1735		\$5.00		DL1735		DC1735
	4.000	TH1740	N/A	DL1740		DC1740		2.8
	4.500	TH1745		DL1745		DC1745		3.1
	5.000	TH1750		DL1750		DC1750		3.4
6.000	TH1760	DL1760	DC1760	4.1				
2"	2.500	TH2025	N/A	DL2025	N/A	DC2025	N/A	2.2
	3.000	TH2030		DL2030		DC2030		2.7
	3.500	TH2035		DL2035		DC2035		3.1
	4.000	TH2040		DL2040		DC2040		3.6
	4.500	TH2045	\$7.00	DL2045		DC2045	\$10.00	4.0
	5.000	TH2050	N/A	DL2050		DC2050	4.5	
	5.500	TH2055		DL2055		DC2055	5.0	
	6.000	TH2060		DL2060		DC2060	5.3	
8.000	TH2080	DL2080		DC2080	7.2			
3"	3.000	TH3030	N/A	DL3030	N/A	DC3030	N/A	6.1
	3.500	TH3035		DL3035		DC3035		7.1
	4.000	TH3040		DL3040		DC3040		8.1
	4.500	TH3045		DL3045		DC3045		9.1
	5.000	TH3050		DL3050		DC3050		10.0
	6.000	TH3060		DL3060		DC3060		12.0
4"	8.000	TH3080	N/A	DL3080	N/A	DC3080	N/A	16.0
	5.000	TH4050		DL4050		DC4050		18.0
	6.000	TH4060		DL4060		DC4060		21.6
	8.000	TH4080		DL4080		DC4080		28.8

SPECIALS MADE UPON REQUEST



PLASTIC PROCESS EQUIPMENT, INC.

www.ppe.com • e-mail: sales@ppe.com

6385 Montessouri Street, Las Vegas, Nevada 89113
PPE WEST 702-433-6385 • 800-258-8877 • Fax: 702-433-6388

11218 Challenger Avenue, Odessa, Florida 33556
PPE SOUTH 727-834-8888 • 800-282-6783 • Fax: 727-834-8873

8303 CORPORATE PARK DRIVE, MACEDONIA (Cleveland), OHIO 44056, USA

Toll Free: USA, Canada & Mexico

216-367-7000 • Toll Free: 800-321-0562 • Fax: 216-367-7022 • Order Fax: 800-223-8305

800-362-0706