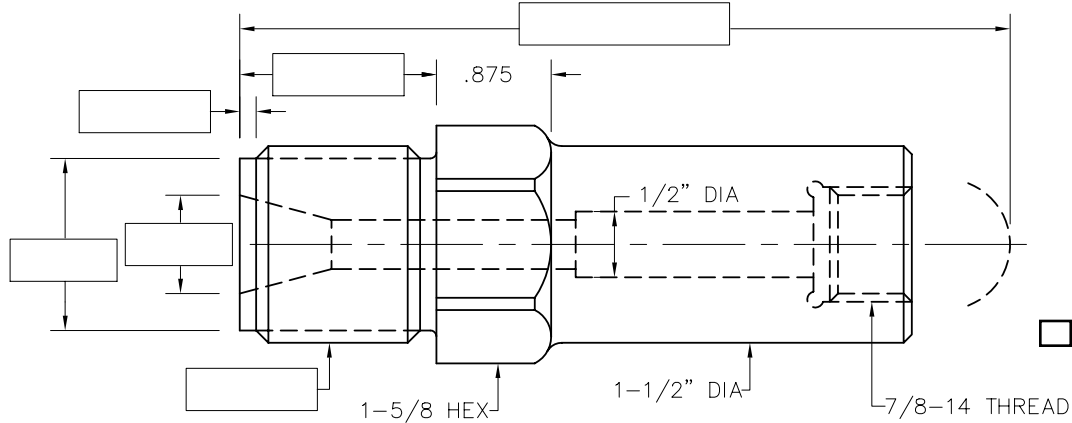


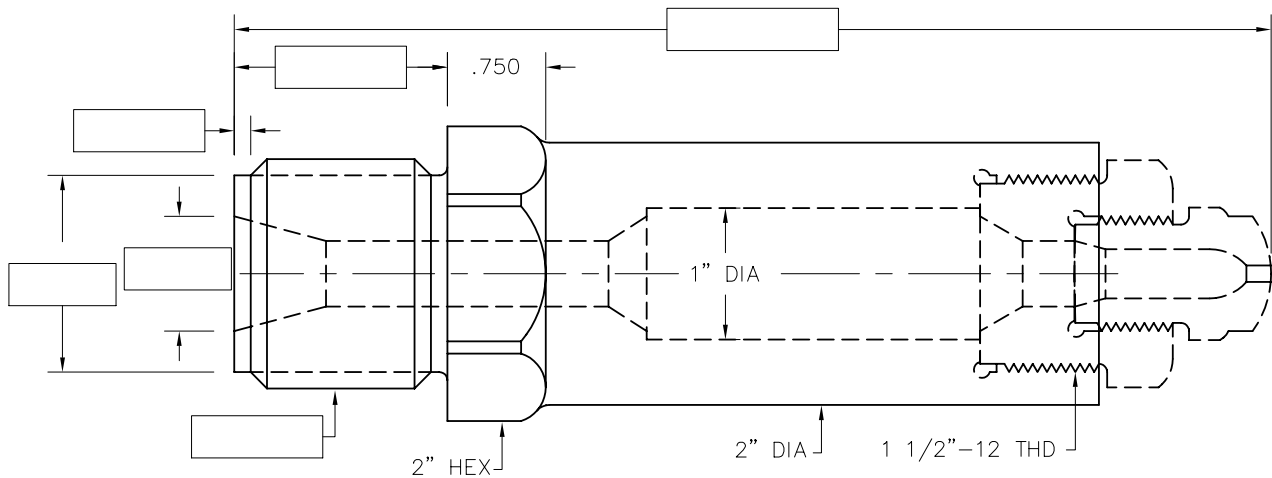


# LINEAR EDGE MELT FILTER BODY

## Order Form (FILL IN THE DIMENSIONS)

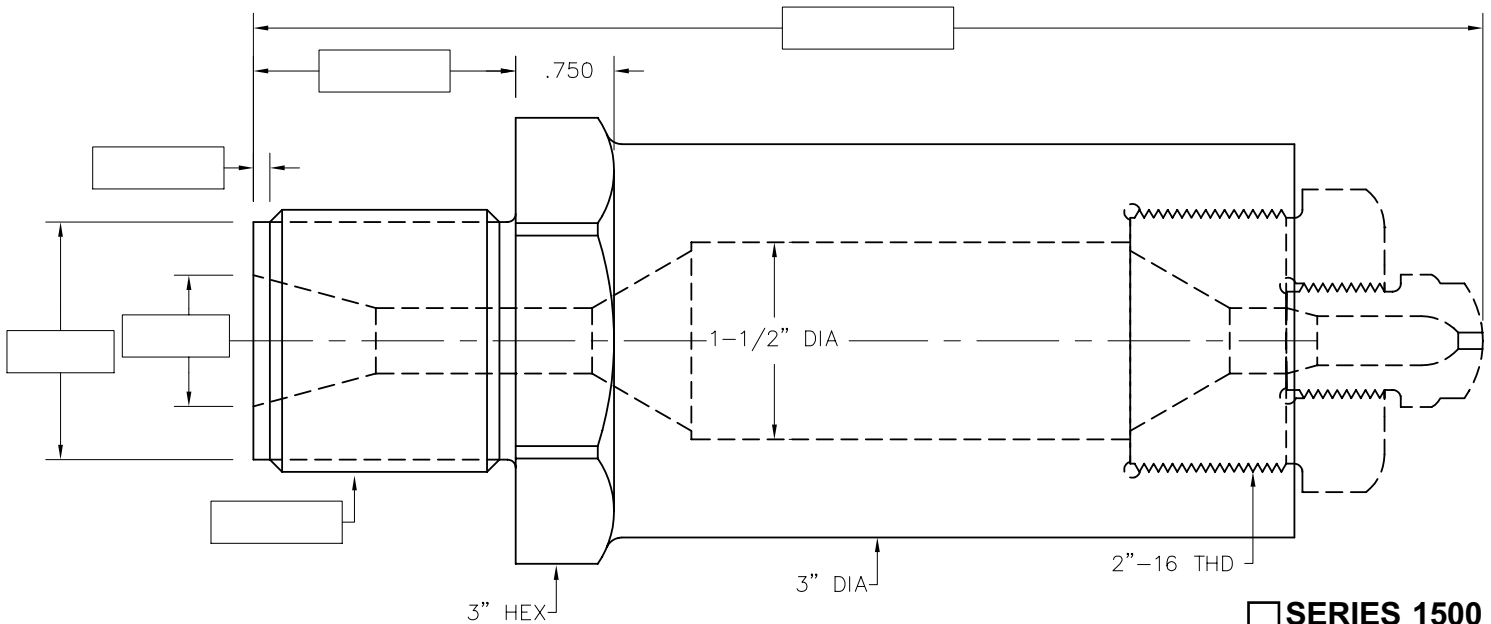


SERIES 500



SERIES 1000

© Copyright 2015 Plastic Process Equipment, Inc. Note: PPE customers may reproduce this form only in it's entirety.



SERIES 1500



### PLASTIC PROCESS EQUIPMENT, INC.

www.ppe.com • e-mail: sales@ppe.com

**PPE WEST** 6385 Montessouri Street, Las Vegas, Nevada 89113  
702-433-6385 • 800-258-8877 • Fax: 702-433-6388

**PPE SOUTH** 11218 Challenger Avenue, Odessa, Florida 33556  
727-834-8888 • 800-282-6783 • Fax: 727-834-8873

8303 CORPORATE PARK DRIVE, MACEDONIA (Cleveland), OHIO 44056, USA

Toll Free: USA, Canada & Mexico

216-367-7000 • Toll Free: 800-321-0562 • Fax: 216-367-7022 • Order Fax: 800-223-8305

**800-362-0706**