

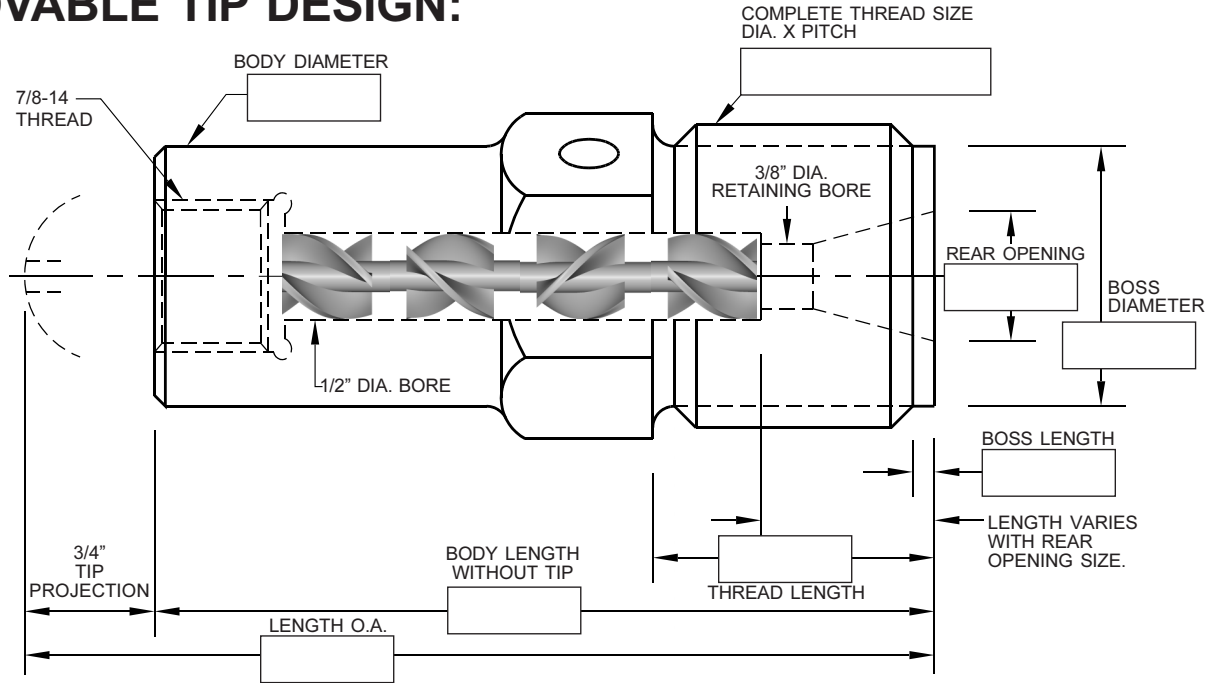


# COLOR MIXING NOZZLES FOR HELIX MIXER SEGMENTS

## Order Form (FILL IN THE DIMENSIONS)

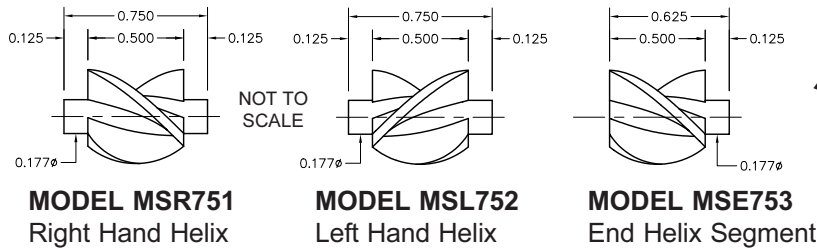
JUST MAKE A  
COPY OF  
THIS FORM  
IN IT'S ENTIRETY

### REMOVABLE TIP DESIGN:

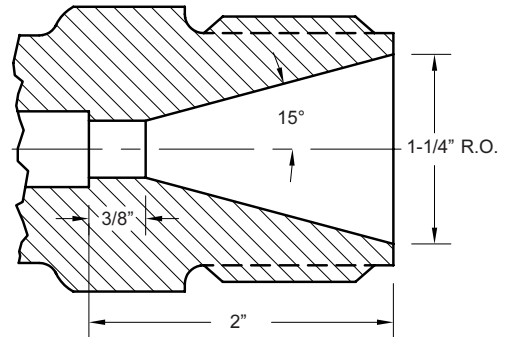


ALWAYS USE  
A THREAD LUBE!

### ALTERNATE VAN DORN V-17 ILLUSTRATED



NOT TO SCALE



### ALSO SPECIFY:

MACHINE MAKE & TYPE: \_\_\_\_\_  
 TIP: INTERNAL DESIGN  GENERAL PURPOSE  NYLON  FULL TAPER  
 HEATED DESIGN:  EXTERNALLY BAND HEATED  INTERNALLY CARTRIDGE HEATED  
 THERMOCOUPLE HOLE - THREAD SIZE & LOCATION: \_\_\_\_\_  
 YOUR COMPANY \_\_\_\_\_ YOUR P.O. NUMBER \_\_\_\_\_  
 ADDRESS \_\_\_\_\_ FAX NUMBER \_\_\_\_\_  
 CITY \_\_\_\_\_ STATE \_\_\_\_\_ ZIP \_\_\_\_\_  
 PERSON TO CONTACT \_\_\_\_\_ TELEPHONE \_\_\_\_\_

© Copyright 2015 Plastic Process Equipment, Inc. Note: PPE customers may reproduce this form only in it's entirety.



## PLASTIC PROCESS EQUIPMENT, INC.

www.ppe.com • e-mail: sales@ppe.com

6385 Montessouri Street, Las Vegas, Nevada 89113  
702-433-6385 • 800-258-8877 • Fax: 702-433-6388

11218 Challenger Avenue, Odessa, Florida 33556  
727-834-8888 • 800-282-6783 • Fax: 727-834-8873

8303 CORPORATE PARK DRIVE, MACEDONIA (Cleveland), OHIO 44056, USA

Toll Free: USA, Canada & Mexico  
**800-362-0706**

216-367-7000 • Toll Free: 800-321-0562 • Fax: 216-367-7022 • Order Fax: 800-223-8305