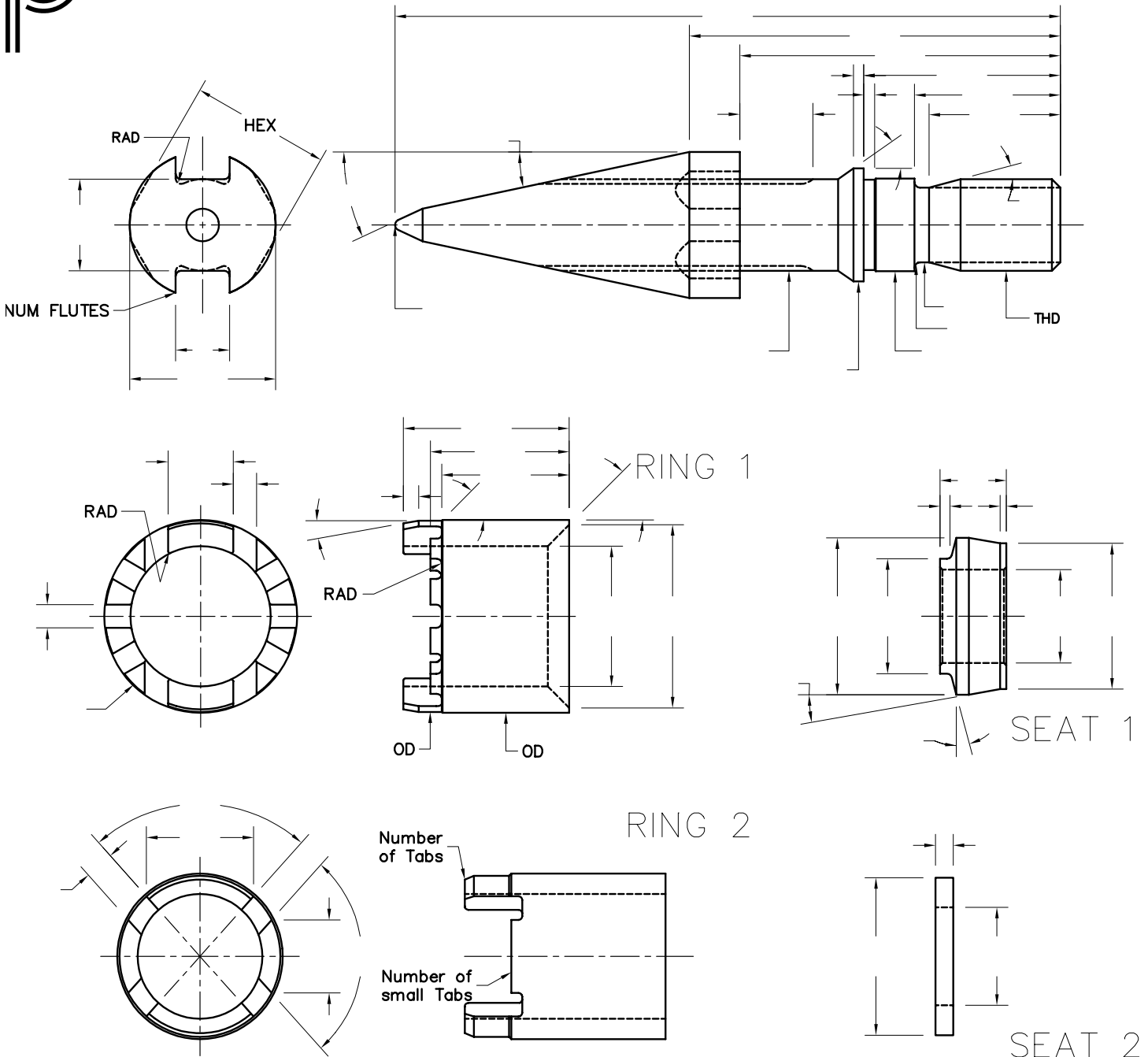




# CASTLE RING ORDER FORM



**PLEASE SPECIFY DIMENSIONS TO .001"**

**NOTE: PLEASE BE AWARE - THE DIMENSIONS YOU ARE GIVING US MAY BE FROM WORN OR DAMAGED PARTS AND MAY NOT BE ACCURATE. FOR BEST ACCURACY, WE RECOMMEND THAT YOU SEND THE PARTS TO US.**

MACHINE MAKE & TYPE: \_\_\_\_\_  
 YOUR COMPANY \_\_\_\_\_ YOUR P.O. NUMBER \_\_\_\_\_  
 ADDRESS \_\_\_\_\_ FAX NUMBER \_\_\_\_\_  
 CITY \_\_\_\_\_ STATE \_\_\_\_\_ ZIP \_\_\_\_\_  
 PERSON TO CONTACT \_\_\_\_\_ TELEPHONE \_\_\_\_\_

© Copyright 2016 Plastic Process Equipment, Inc. Note: PPE customers may reproduce this form only in it's entirety.



**PLASTIC PROCESS EQUIPMENT, INC.**

www.ppe.com • e-mail: sales@ppe.com

**PPE WEST** 6385 Montessouri Street, Las Vegas, Nevada 89113  
 702-433-6385 • 800-258-8877 • Fax: 702-433-6388

**PPE SOUTH** 11218 Challenger Avenue, Odessa, Florida 33556  
 727-834-8888 • 800-282-6783 • Fax: 727-834-8873

8303 CORPORATE PARK DRIVE, MACEDONIA (Cleveland), OHIO 44056, USA

Toll Free: USA, Canada & Mexico  
**800-362-0706**

216-367-7000 • Toll Free: 800-321-0562 • Fax: 216-367-7022 • Order Fax: 800-223-8305