



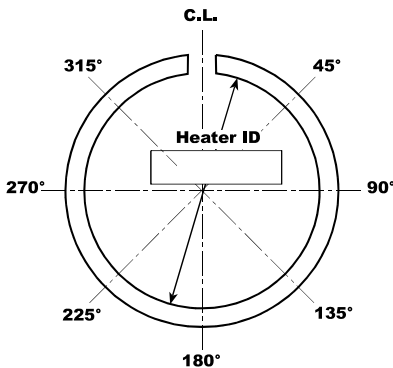
HEATER BAND ORDER FORM CONFIRMATION

1. QUANTITY: _____ 2. MACHINE MAKE AND TYPE: _____
3. TYPE OF HEATER:
 PREMIUM MICA EXPANDABLE MICA (4" dia. & over) MINERAL INSULATED BAND STARFLEX
 STANDARD CERAMIC (1/4" insulation) ULTRA THIN CERAMIC (3/16" insulation) INSULATION MAX® CERAMIC (1/2" insulation)
4. DESIGN OF HEATER: (see catalog) _____ i.e. wedge lock, flange lock, etc.
5. ELECTRICAL SPEC'S:
Voltage: _____ Volts To determine heater wattage multiply
Wattage: _____ Watts 3.14 x I.D. x width.
 Dual Voltage
6. ELECTRICAL CONN: (Specify)
 Flex Leads Type C: Length (std 10 in.) _____ in.
 Metal Braid Type B: Length _____ in.
 Armor Conduit Type A: Length _____ in.
 Post Terminals 10-24 Thread (standard - Mica)
 Post Terminals 10-32 Thread
 Post Terminals 1/4-20 Thread (standard - Ceramic)
 Terminal Box
 Ceramic Terminal Covers
 Plug (Specify)
 Euro Style Plug: Vertical or Horizontal
 Twist Plug
 Grounding Provision
 3 Phase
7. HEATER CONSTRUCTION:
 Standard One Piece
 2 Piece Construction
Voltage each half: _____
 Hinged Construction
 Expandable
 Stainless Steel Inner Liner
 T/C or Clearance Holes (specify location)
Hole Diameter: _____
No. of Holes: _____
8. LOCKUP: SPECIAL LOCKUP:
 Straps Full Width Strap
 Flange Welded Barrel Nut
 Wedge Lock

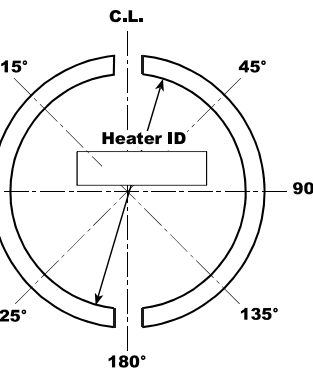
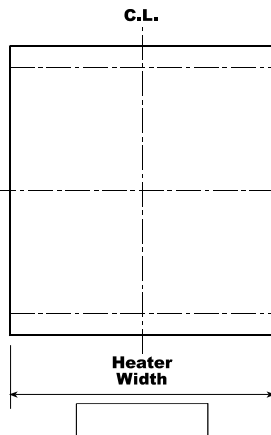
★★ EXPRESS DELIVERY FOR ★★ CUSTOM MADE HEATER BANDS

FOR EXPRESS EXTRA FAST DELIVERY ON PREMIUM HEATER BANDS
FOR SHIPPING IN 7 WORKING DAYS ADD 20% SURCHARGE.
FOR SHIPPING IN 5 WORKING DAYS ADD 30% SURCHARGE.
FOR SHIPPING IN 3 WORKING DAYS ADD 50% SURCHARGE.

NOTE: Indicate hole/s location on drawing below by indicating the appropriate angle and location on the side view.



1 PIECE DESIGN



2 PIECE DESIGN

Possibility of over/under on quantities of special orders

PPE Mica & Ceramic	
QTY. Ordered	Over/Under QTY.
1-5	No Variation
6-24	± 1pc
25-49	± 2pcs
50-99	± 3pcs
100+	± 5%

Mineral Insulated	
QTY. Ordered	Over/Under QTY.
1-5	No Variation
6-24	± 1pc
25-49	± 2pcs
50-99	± 3pcs
100+	± 5%

COMPANY NAME: _____

YOUR NAME: _____ / SIGNATURE: _____

TELEPHONE: (_____) - _____ - _____ FAX: (_____) - _____ - _____

E-MAIL: _____ PPE SALES PERSON: _____

© Copyright 2018 Plastic Process Equipment, Inc. Note: PPE customers may reproduce this form only in it's entirety. QUOTE# _____



PLASTIC PROCESS EQUIPMENT, INC.

www.ppe.com • e-mail: sales@ppe.com

PPE WEST 6385 Montessouri Street, Las Vegas, Nevada 89113
702-433-6385 • 800-258-8877 • Fax: 702-433-6388

PPE SOUTH 11218 Challenger Avenue, Odessa, Florida 33556
727-834-8888 • 800-282-6783 • Fax: 727-834-8873

8303 CORPORATE PARK DRIVE, MACEDONIA (Cleveland), OHIO 44056, USA

Toll Free: USA, Canada & Mexico
800-362-0706

216-367-7000 • Toll Free: 800-321-0562 • Fax: 216-367-7022 • Order Fax: 800-223-8305