

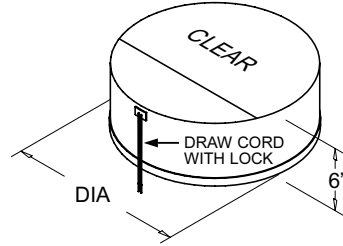


# SPECIAL DRUM AND GAYLORD COVER ORDER FORM

## FEATURES

- All ports have flat elastic and zipper standard.
- All skirts have flat elastic at bottom.
- Drum Covers have Draw Cord with Lock around skirt included for secure fit.
- Gaylord Covers have 1" strap and clamp around skirt included for positive pressure applications.

## ROUND DRUM COVER



DRUM DIA: \_\_\_\_\_

NUMBER OF PORTS: \_\_\_\_\_

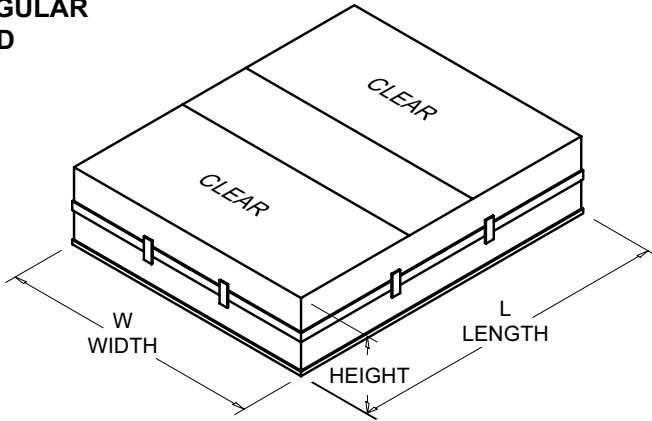
PORT SIZE: \_\_\_\_\_

PORT LOCATION: MARK ON DRAWING

ORDER QUANTITY: \_\_\_\_\_

COLOR\*: STD. \_\_\_ OTHER: \_\_\_\_\_

## RECTANGULAR GAYLORD COVER



SIZE (L x W): \_\_\_\_\_

HEIGHT: (std 10" to 12") \_\_\_\_\_

NUMBER OF PORTS: \_\_\_\_\_

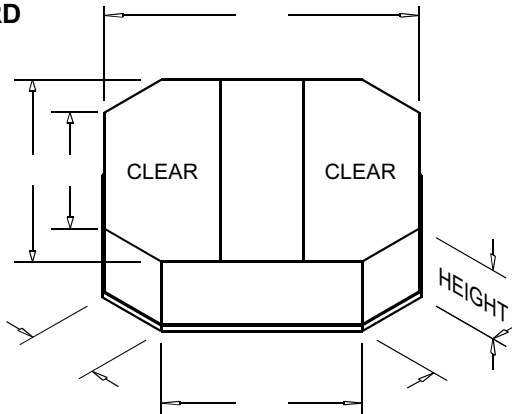
PORT SIZE: \_\_\_\_\_

PORT LOCATION: MARK ON DRAWING

ORDER QUANTITY: \_\_\_\_\_

COLOR\*: STD. \_\_\_ OTHER: \_\_\_\_\_

## OCTAGON GAYLORD COVER



MARK DIMENSIONS ON DRAWING

HEIGHT: (std 10"-12") \_\_\_\_\_

NUMBER OF PORTS: \_\_\_\_\_

PORT SIZE: \_\_\_\_\_

PORT LOCATION: MARK ON DRAWING

ORDER QUANTITY: \_\_\_\_\_

COLOR\*: STD. \_\_\_ OTHER: \_\_\_\_\_

\* Custom colors available to special order. Black, blue, green, red or white. Special colors are breathable canvas material. Our standard colors are tan breathable polyester spandex top with black polyester spandex skirt.

COMPANY NAME: \_\_\_\_\_

YOUR NAME: \_\_\_\_\_ / SIGNATURE: \_\_\_\_\_

TELEPHONE: (\_\_\_\_\_) - \_\_\_\_\_ - \_\_\_\_\_ FAX: (\_\_\_\_\_) - \_\_\_\_\_ - \_\_\_\_\_

E-MAIL: \_\_\_\_\_ PPE SALES PERSON: \_\_\_\_\_

P.O. #: \_\_\_\_\_ QUOTE# \_\_\_\_\_

© Copyright 2018 Plastic Process Equipment, Inc. Note: PPE customers may reproduce this form only in it's entirety.



## PLASTIC PROCESS EQUIPMENT, INC.

www.ppe.com • e-mail: sales@ppe.com

**PPE WEST** 6385 Montessouri Street, Las Vegas, Nevada 89113  
702-433-6385 • 800-258-8877 • Fax: 702-433-6388

**PPE SOUTH** 11218 Challenger Avenue, Odessa, Florida 33556  
727-834-8888 • 800-282-6783 • Fax: 727-834-8873

8303 CORPORATE PARK DRIVE, MACEDONIA (Cleveland), OHIO 44056, USA

Toll Free: USA, Canada & Mexico  
**800-362-0706**

216-367-7000 • Toll Free: 800-321-0562 • Fax: 216-367-7022 • Order Fax: 800-223-8305