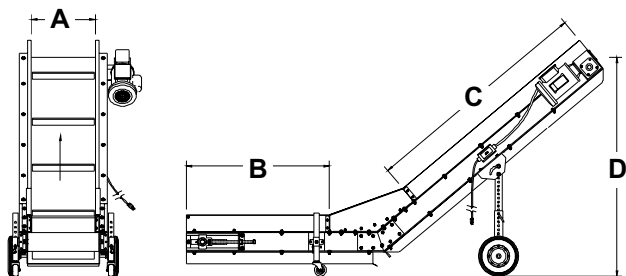




CUSTOM CONVEYOR ORDER FORM

HEAVY DUTY 40° FIXED INCLINE CONVEYORS

CONVEYOR STYLE:
FIC

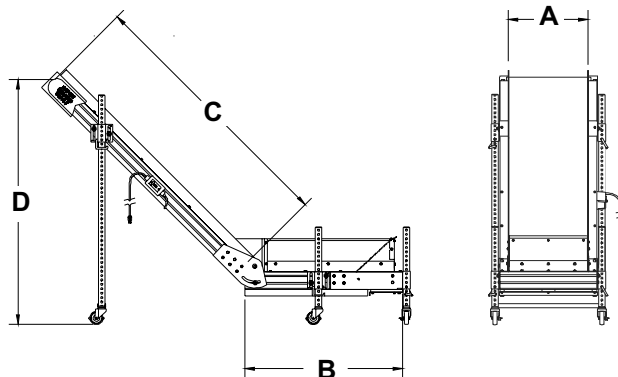


- A) Belt Width: 12" 18" 24"
- B) Infeed Length: _____
- C) Incline Length: _____
- D) Height to top of belt: _____
- E) Variable Speed Control: Yes No
- F) Control Options:
 - 1) On/Off controlled by electric eye.
 - 2) On/Off Indexing on demand, electrical signal required.
 - 24V 120V
 - 3) On/Off Indexing, Repeat Cycling.
 - 4) E-Stop
- G) 4" high Side Rails:
 - 1) Mild Steel
 - 2) Stainless Steel
- H) Belt & Cleat options:
 - 1) Cleat height: 3/4" 1" 1-1/2" 2"
 - 2) Cleat spacing: _____
 - 3) Color: _____
 - 4) Specialty Belt: _____
- I) Other special features, specify:

- J) Export crating: Yes No

VARIABLE INCLINE CONVEYORS

CONVEYOR STYLE:
VIB VIC SIV



- A) Belt Width: 12" 18" 24"
- B) Infeed Length: _____
- C) Incline Length: _____
- D) Discharge height at 45°: _____
- E) Variable Speed Control: Yes No
- F) Control Options:
 - 1) On/Off controlled by electric eye.
 - 2) On/Off Indexing on demand, electrical signal required.
 - 24V 120V
 - 3) On/Off Indexing, Repeat Cycling.
 - 4) E-Stop
- G) 3" high Side Rails:
 - 1) Anodized Aluminum
 - 2) Stainless Steel
- H) Belt & Cleat options:
 - 1) Cleat height: 3/4" 1" 1-1/2"
 - 2) Cleat spacing: _____
 - 3) Color: _____
 - 4) Specialty Belt: _____
- I) Other special features, specify:

- J) Export crating: Yes No

COMPANY NAME: _____

YOUR NAME: _____ / SIGNATURE: _____

TELEPHONE: (_____) - _____ - _____ FAX: (_____) - _____ - _____

E-MAIL: _____ PPE SALES PERSON: _____



PLASTIC PROCESS EQUIPMENT, INC.

www.ppe.com • e-mail: sales@ppe.com

6385 Montessouri Street, Las Vegas, Nevada 89113
702-433-6385 • 800-258-8877 • Fax: 702-433-6388

11218 Challenger Avenue, Odessa, Florida 33556
727-834-8888 • 800-282-6783 • Fax: 727-834-8873

8303 CORPORATE PARK DRIVE, MACEDONIA (Cleveland), OHIO 44056, USA
216-367-7000 • Toll Free: 800-321-0562 • Fax: 216-367-7022 • Order Fax: 800-223-8305

Toll Free: USA, Canada & Mexico
800-362-0706