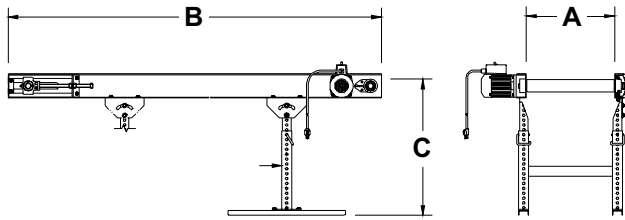




# CUSTOM CONVEYOR ORDER FORM

## HORIZONTAL CONVEYORS

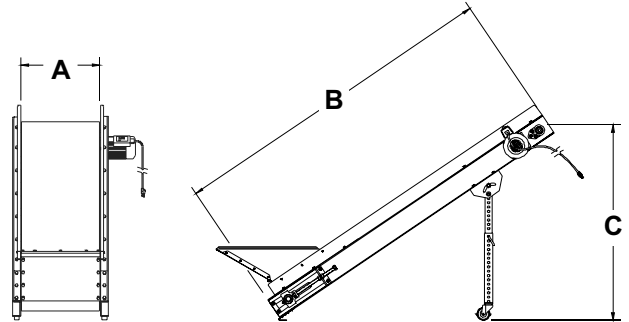
CONVEYOR STYLE:  
PC  BCP  FT



- A) Belt Width:  6"  12"  18"  24"  36"  48"
- B) Conveyor Length: \_\_\_\_\_
- C) Height to top of belt: \_\_\_\_\_
- D) Number of stands: \_\_\_\_\_  
 1) Casters:  Yes  No
- E) Variable Speed Control:  Yes  No
- F) Control Options:  
 1) On/Off controlled by electric eye.  
 2) On/Off Indexing on demand, electrical signal required.  
 24V  120V  
 3) On/Off Indexing, Repeat Cycling.  
 4) Reverse on demand  
 24V  120V  
 5) FTP Indexing & Reverse, Manual.  
 6) E-Stop
- G) Motor mounted under conveyor:  Yes  No (*non-standard*)
- H) Side Rails:  
 1) 3" Anodized Aluminum  
 2) 3" Stainless Steel  
 3) 3-1/2" Mild Steel (*not available on FT Style*)  
 4) 3-1/2" Stainless Steel (*not available on FT Style*)  
 5) 4" Anodized Aluminum  
 6) 4" Mild Steel  
 7) 4" Stainless Steel  
 8) 5" Mild Steel  
 9) 5" Stainless Steel
- I) Belt & Cleat options:  
1) Cleat height:  3/4"  1"  1-1/2"  2"  
2) Cleat spacing: \_\_\_\_\_  
3) Color: \_\_\_\_\_  
4) Specialty Belt: \_\_\_\_\_
- J) Other special features, specify:  
\_\_\_\_\_  
\_\_\_\_\_
- K) Export crating:  Yes  No

## INCLINE CONVEYORS

CONVEYOR STYLE:  
SI  BIC  PCI  VICB  SCI



- A) Belt Width:  6"  8"  12"  18"  24"
- B) Conveyor Length: \_\_\_\_\_
- C) Drop height @ 45°: \_\_\_\_\_
- D) Variable Speed Control:  Yes  No
- E) Control Options:  
 1) On/Off controlled by electric eye.  
 2) On/Off Indexing on demand, electrical signal required.  
 24V  120V  
 3) On/Off Indexing, Repeat Cycling.  
 4) E-Stop
- F) Motor mounted under conveyor:  Yes  No (*non-standard*)
- G) Side Rails:  
 1) 3" Anodized Aluminum  
 2) 3" Stainless Steel  
 3) 4" Anodized Aluminum  
 4) 4" Mild Steel  
 5) 4" Stainless Steel  
 6) 5" Mild Steel  
 7) 5" Stainless Steel
- H) Belt & Cleat options:  
1) Cleat height:  3/4"  1"  1-1/2"  2"  
2) Cleat spacing: \_\_\_\_\_  
3) Color: \_\_\_\_\_  
4) Specialty Belt: \_\_\_\_\_
- I) Other special features, specify:  
\_\_\_\_\_  
\_\_\_\_\_
- J) Export crating:  Yes  No

COMPANY NAME: \_\_\_\_\_

YOUR NAME: \_\_\_\_\_ / SIGNATURE: \_\_\_\_\_

TELEPHONE: (\_\_\_\_\_) - \_\_\_\_\_ - \_\_\_\_\_ FAX: (\_\_\_\_\_) - \_\_\_\_\_ - \_\_\_\_\_

E-MAIL: \_\_\_\_\_ PPE SALES PERSON: \_\_\_\_\_



### PLASTIC PROCESS EQUIPMENT, INC.

www.ppe.com • e-mail: sales@ppe.com

6385 Montessouri Street, Las Vegas, Nevada 89113  
702-433-6385 • 800-258-8877 • Fax: 702-433-6388

11218 Challenger Avenue, Odessa, Florida 33556  
727-834-8888 • 800-282-6783 • Fax: 727-834-8873

8303 CORPORATE PARK DRIVE, MACEDONIA (Cleveland), OHIO 44056, USA

216-367-7000 • Toll Free: 800-321-0562 • Fax: 216-367-7022 • Order Fax: 800-223-8305

Toll Free: USA, Canada & Mexico  
**800-362-0706**