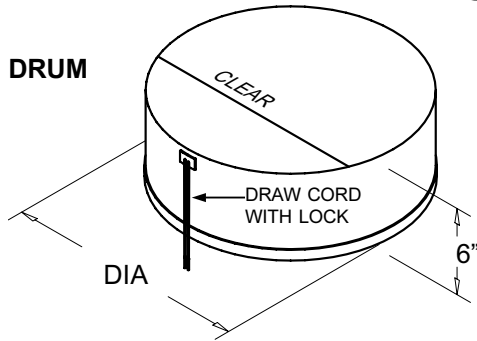




SPECIAL DRUM AND GAYLORD COVER ORDER FORM

ROUND DRUM COVER



SKIRT HAS FLAT ELASTIC AT BOTTOM

DRUM DIA: _____

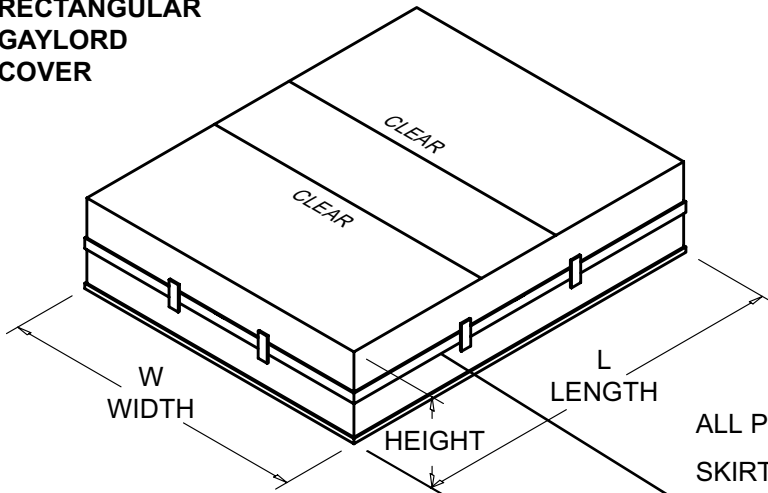
NUMBER OF PORTS: _____

PORT SIZE: _____

PORT LOCATION: MARK ON DRAWING

ORDER QUANTITY: _____

RECTANGULAR GAYLORD COVER



ALL PORTS HAVE FLAT ELASTIC AND ZIPPER STANDARD
SKIRT HAS FLAT ELASTIC AT BOTTOM
1" STRAP AND CLAMP AROUND SKIRT INCLUDED
FOR POSITIVE PRESSURE APPLICATIONS.

SIZE (L x W): _____

HEIGHT: (std 10" to 12") _____

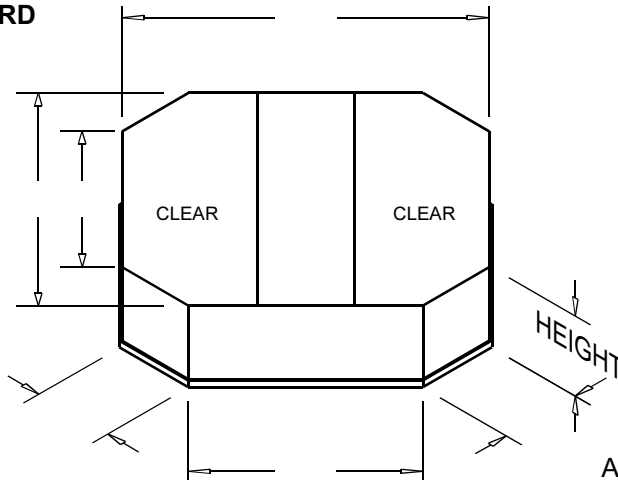
NUMBER OF PORTS: _____

PORT SIZE: _____

PORT LOCATION: MARK ON DRAWING

ORDER QUANTITY: _____

OCTAGON GAYLORD COVER



ALL PORTS HAVE FLAT ELASTIC AND ZIPPER STANDARD
SKIRT HAS FLAT ELASTIC AT BOTTOM
1" STRAP AND CLAMP AROUND SKIRT INCLUDED
FOR POSITIVE PRESSURE APPLICATIONS.

MARK DIMENSIONS ON DRAWING

HEIGHT: (std 10"-12") _____

NUMBER OF PORTS: _____

PORT SIZE: _____

PORT LOCATION: MARK ON DRAWING

ORDER QUANTITY: _____



PLASTIC PROCESS EQUIPMENT, INC.

www.ppe.com • e-mail: sales@ppe.com

PPE WEST 6385 Montessouri Street, Las Vegas, Nevada 89113
702-433-6385 • 800-258-8877 • Fax: 702-433-6388

PPE SOUTH 11218 Challenger Avenue, Odessa, Florida 33556
727-834-8888 • 800-282-6783 • Fax: 727-834-8873

8303 CORPORATE PARK DRIVE, MACEDONIA (Cleveland), OHIO 44056, USA

Toll Free: USA, Canada & Mexico
800-362-0706

PPE 216-367-7000 • Toll Free: 800-321-0562 • Fax: 216-367-7022 • Order Fax: 800-223-8305