



INSTRUCTIONS CONVEYORS & SEPARATORS



Bottle & Parts



**Conveyor/Separator
Combination**



Inclined & Infeed Combo



**Vee-Guide
Tracking**



FIC Conveyor



Granulator Feed



Inclined



Parts Conveyor

MODEL NO.
<input type="text"/>
SERIAL NO.
<input type="text"/>

PPE Conveyors are manufactured and sold direct by Plastic Process Equipment, Inc. We are not associated with any other manufacturer except Budget Molder's Supply, Inc. Always specify genuine PPE or Budget Hi-Line conveyors! Do not accept substitutes.

Made in the U.S.A. by Plastic Process Equipment, Inc. © copyright 2006



PLASTIC PROCESS EQUIPMENT, INC.

www.ppe.com • e-mail: sales@ppe.com



6385 Montessouri Street, Las Vegas, Nevada 89113
702-433-6385 • 800-258-8877 • Fax: 702-433-6388



11218 Challenger Avenue, Odessa, Florida 33556
727-834-8888 • 800-282-6783 • Fax: 727-834-8873

8303 CORPORATE PARK DRIVE, MACEDONIA (Cleveland), OHIO 44056, USA

216-367-7000 • Toll Free: 800-321-0562 • Fax: 216-367-7022 • Order Fax: 800-223-8305

Toll Free: USA, Canada & Mexico
800-362-0706

Thank you for purchasing a conveyor or separator from Plastic Process Equipment, Inc. These instructions are intended as a guide for your new product. If you have any additional questions, contact PPE at 800-321-0562.

RECEIVING

Thoroughly inspect your new conveyor or separator before unpacking it for set up. Report any damage to the motor freight carrier; they are responsible for damages incurred during transit.

ATTENTION!!

Please read through the entire booklet first.

You must be trained and authorized by your employer in the proper installation operation, maintenance and set-up of your new equipment. **Safety First Always!**

ELECTRICAL

All conveyors and separators are equipped with a starter switch and an overload protection heater. A grounded 120 volt outlet and a three wire grounded extension cord must be used at all times.

The On/Off switches on some models are resettable, should the switch get overloaded for some reason it may be necessary to reset it before the conveyor will run again. See switch cover for reset instructions.

WARNING DRIVE MOTOR

The standard 1/6hp 655 drive motor is not designed for repeated start stop operation, if you turn the conveyor on and off more than 10 times per hour you damage the motor by overheating. There are special order motors available for start/stop operations, please consult the factory.

CAUTION DURING USE AND OPERATION OF CONVEYORS OR SEPARATORS

- Do not wear loose clothing or jewelry around the conveyor.
- Do not wear rings, necklaces, or jewelry.
- Long hair **must** be tied and netted.
- Keep all hands, arms, and fingers away from any moving parts except the conveyor belt surface.
- Never stand on the conveyor belt for any reason whatsoever.
- Do not operate any conveyor with the guards removed.
- Do not operate the conveyor with parts missing, removed, or in a disassembled state.
- Pay special attention to the ON-OFF switch location.
- Wear safety glasses if your company or process requires them.
- You must unplug the conveyor before performing any repairs or maintenance.
- If you are unsure about installation, operation, maintenance, or setup call PPE!

TYPES OF CONVEYORS

PPE carries both V-Belt and non V-Belt Conveyors. The easiest way to tell if your conveyor is a V-Belt is by the serial number. If there is a "V" in the serial number your conveyor is a V-Belt. **EXAMPLE:** the serial number PC1812V251439 is a conveyor with the V-Belt system (note the V in the serial number). If the serial number on your conveyor has an **R** or an **A** following the **V**, your conveyor has direct drive. **EXAMPLE:** PC 182VR251439 is a direct drive conveyor.

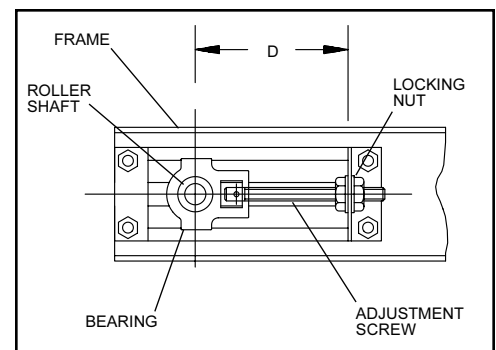
BELT TRACKING AND TENSION

All conveyors and separators are thoroughly tested in our factory after final assembly. Although the belts are adjusted to track properly with the right amount of tension, some adjustments may be necessary during use. For best results and longevity of the drive components, the belt should be run with the **LEAST** tension needed to transport the load without slipping. If the belt is too loose, it will slip causing wear to the belt's underside. **CAUTION: DO NOT OVERTIGHTEN THE CONVEYOR BELT.** An overtightened belt will cause premature failure of your bearings, shafts and, on some models, the drive unit.

BELT TRACKING: THE V-BELT STYLE

The V-Belt tracking system keeps your belt centered and tracking properly. No adjustment should be necessary if both take up bolts are adjusted the same amount during belt tension adjustment. To check the tracking of your belt, measure the take up bolts on both sides of the conveyor. The distance between the center of the roller shaft and the bracket behind the locking nut (**see Figure 1**) should be the same for both bolts.

Figure 1



For another quick check, place a carpenter's square along the frame and belt of your conveyor. If it is tracking properly, the carpenter's square will fit snugly in the corner (see **Figure 2**). If your conveyor is not tracking properly, adjust

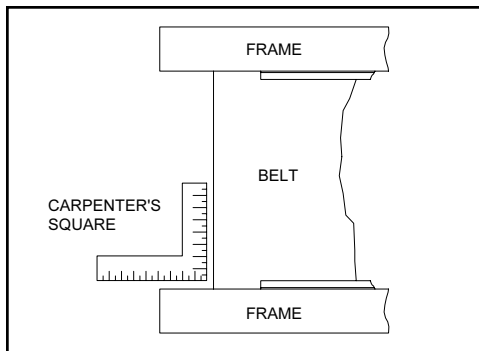


Figure 2

the locking nuts on both sides until they are equal. **BE CAREFUL NOT TO OVERTIGHTEN!**

BELT TRACKING: NON V-BELT CONVEYORS

Check to ensure your conveyor is tracking properly. If your belt drifts to the left or right, it needs adjustment. To adjust your belt, loosen the locking nuts on each side of the conveyor (see **Figure 1**). With the conveyor operating, tighten the tension screw on the side of the drift 1/4 turn (**EXAMPLE:** if your belt drifts to the right, tighten the right take-up screw approximately 1/4 turn). Wait several minutes to allow the belt to drift and reposition on the rollers. Continue to adjust the appropriate take up bolt until the belt tracks evenly on both sides. **DO NOT OVERTIGHTEN THE CONVEYOR BELT!** If necessary, reset the belt tracking by loosening the opposite side. Once the belt tracking is complete, be sure to lock the take up adjustment screws with the locking nut.

LUBRICATION: DIRECT DRIVE UNITS

PPE conveyors and separators (FIC, FT, ICB, PC-06, PC, PUC, SCI and FS Separator) have two drive bearings (the bearings at the motor end of the conveyor), and the take-up bearing (at the opposite end of the conveyor). All bearings are permanently lubricated, therefore we do not provide a grease fitting. Our experience has shown conveyor users tend to over grease bearings to the point where grease works it's way between the rollers and belts causing serious problems of contamination and belt slippage.

LUBRICATION: CHAIN DRIVE UNITS

(BIC, FT, FS, VICB, PC 06, PC 12, PC 18, PC 24, PCS, PUC, VIB, ICG, PCS) PPE chain drive units use permanently lubricated drive chains that do not require lubrication. All bearings are permanently lubricated, therefore we do not provide a grease fitting.

CAUTION:
**DO NOT ALLOW LUBRICATION TO GET
ON THE UNDERSIDE OF THE BELT.**

CAUTION:
**BEARINGS SHOULD NOT RUN CONTINUOUS
AT TEMPERATURES OVER 200°F
AND SHOULD NEVER EXCEED 225°F
FOR INTERMITTENT OPERATIONS.**

PCS SEPARATOR ATTACHMENTS

The PCS separator is driven off of the main conveyor unit using a belt drive system. This allows slippage if the separator roller unit were to catch on something. **DO NOT OVERTIGHTEN** the drive belt, it should have just enough tension to drive the roller. This is a safety feature.

WARRANTY

All PPE Conveyors have a full **two year warranty**. This warranty doesn't include conveyor belts because they are subject to excessive wear damage and abuse by the user. This Warranty should not extend to goods subjected to misuse, abuse, neglect, accident or improper installation or maintenance, or products or goods which have been altered, modified or repaired by anyone other than seller or its authorized and approved representatives.



PLASTIC PROCESS EQUIPMENT, INC.

www.ppe.com • e-mail: sales@ppe.com



6385 Montessouri Street, Las Vegas, Nevada 89113
702-433-6385 • 800-258-8877 • Fax: 702-433-6388



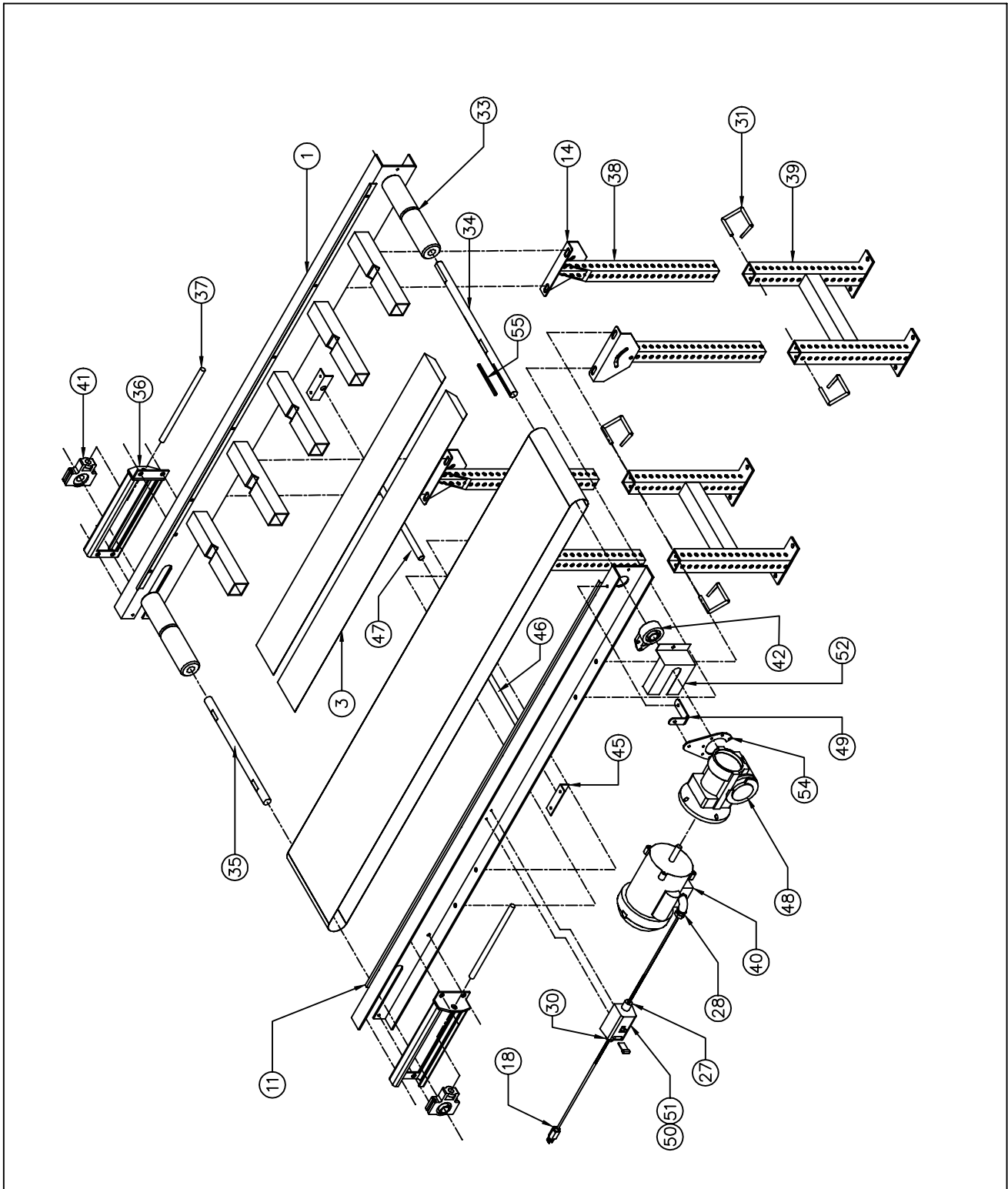
11218 Challenger Avenue, Odessa, Florida 33556
727-834-8888 • 800-282-6783 • Fax: 727-834-8873

8303 CORPORATE PARK DRIVE, MACEDONIA (Cleveland), OHIO 44056, USA

216-367-7000 • Toll Free: 800-321-0562 • Fax: 216-367-7022 • Order Fax: 800-223-8305

Toll Free: USA, Canada & Mexico
800-362-0706

PC CONVEYOR PARTS 1815,1820,2412,2415



PLASTIC PROCESS EQUIPMENT, INC.

8303 Corporate Park Drive, Macedonia (CLEVELAND), OHIO 44056
 (216) 367-7000 TOLL FREE: 800-321-0562 FAX (216) 367-7022 ORDER FAX: 800-223-8305 EMAIL: SALES@PPE.COM

6385 Montessouri Street, Las Vegas, Nevada 89113
 (702) 433-6385 TOLL FREE: 800-258-8877
 FAX: (702) 433-6388

11218 Challenger Ave., Odessa, FL 33556
 (727) 834-8888 TOLL FREE: 800-282-6783
 FAX: (727) 834-8873

PCI CONVEYORS

07/12/2013

PARTS LIST RIGHT ANGLE DRIVE

ID	P/N	DESCRIPTION	UOM
OPTIONAL	0791B	0781 BODINE VARIABLE SPEED CONTROL W/1	EA
OPTIONAL	MM23101C	VARI SPEED CONTROL MINARIK	EA
OPTIONAL	C-6909-3	VARIABLE SPEED MOUNTING BRACKET 45° FO	EA
OPTIONAL	098004	1/3 HP DC LEESON MOTOR	EA
OPTIONAL	098000	1/2 HP DC LEESON MOTOR	EA
OPTIONAL	GB20-1	RIGHT ANGLE GEAR BOX 20:1 RATIO w/REAC	EA
1	D-7997-RA	FRAME	EA
3	B-1285	BEDDING	EA
11	B-1954-92	ANGLE BELT STRIPS S/S (SET) 92"	SET
14	B-1654	LEG MOUNTING BRACKET POWERCOATED	EA
17	A-1274	INCLINED FEET	EA
18	K5152	K5152 12' POWER CORD	EA
19	B-8112-5	SIDE RAIL FOR PCI/PCIS 5' (SET)	EA
19	B-8112-6	SIDE RAIL FOR PCI/PCIS 6' (SET)	EA
19	B-8112-7	SIDE RAIL FOR PCI/PCIS 7' (SET)	EA
19	B-8112-8	SIDE RAIL FOR PCI/PCIS 8' (SET)	EA
19	B-8112-10	SIDE RAIL FOR PCI/PCIS 10' (SET)	EA
23	BELT	BELT	EA
26	10101G	3/8" SEALTITE HOSE 14" LONG	EA
27	ST-38	APPLETON CONNECTOR STRAIGHT	EA
28	ST-9038	SEAL TITE FITTINGS 90 DEG	EA
30	SEC50BA	STRAIN RELIEF FOR ELECTRIC CORD	EA
31	T092	LOCK PIN	EA
33	B-5578-18	VEE GROOVE ROLLER 18"	EA
33	B-5578-18N	VEE GROOVE ROLLER 18" KNURLED	EA
33	B-5578-24	VEE GROOVE ROLLER 24"	EA
33	B-5578-24N	VEE GROOVE ROLLER 24" KNURLED	EA
34	B-5579-18	DRIVE SHAFT 18"	EA
34	B-5579-24	DRIVE SHAFT 24"	EA
35	B-5620-18	IDLER SHAFT 18"	EA
35	B-5620-24	IDLER SHAFT 24"	EA
36	C-5582	1" TAKEUP BRACKET	EA
37	C-5582B	ADJ BOLT FOR TAKE UP BRACKET	EA
38	A-7994	UNISTRUT STAND EXTENSION (GALV) 34"	EA
38	A-4705	UNISTRUT STAND EXTENSION GALVANIZED 22	EA
38	A-4703	UNISTRUT STAND EXTENSION (GALV) 36"	EA
39	A-7995-1612	UNISTRUT STAND BOTTOM 12" WIDE	EA
39	A-7995-2612	UNISTRUT STAND BOTTOM 12" WIDE	EA
39	A-7995-3212	UNISTRUT STAND BOTTOM 12" WIDE	EA
39	A-7995-1618	UNISTRUT STAND BOTTOM 18" WIDE	EA
39	A-7995-2618	UNISTRUT STAND BOTTOM 18" WIDE	EA
39	A-7995-3218	UNISTRUT STAND BOTTOM 18" WIDE	EA
39	A-7995-1624	UNISTRUT STAND BOTTOM 24" WIDE	EA
39	A-7995-2624	UNISTRUT STAND BOTTOM 24" WIDE	EA
39	A-7995-3224	UNISTRUT STAND BOTTOM 24" WIDE	EA
40	110056	1/2 HP AC LEESON MOTOR	EA
41	TU250X1	TAKE-UP BEARING	EA
42	FB16X1	FIXED BEARING	EA
43	A-6434-18	FLAPPER STRIP 18"	EA
43	A-6434-24	FLAPPER STRIP 24"	EA
45	A-6432	ALUMINUM HOPPER SIDES (SET)	EA
46	A-6435-18	FLAPPER BELT 18" FOR SI	EA
46	A-6435-24	FLAPPER BELT 24" FOR SI	EA
47	A-6433-18	ALUMINUM HOPPER FRONT 18"	EA
47	A-6433-24	ALUMINUM HOPPER FRONT 24"	EA
48	GB60-1	RIGHT ANGLE GEAR BOX 60:1 RATIO w/REAC	EA
49	A-6042	GUARD FOR RIGHT ANGLE DRIVE	EA
50	CR101Y11	SWITCH WITH PILOT LIGHT	EA
51	FUSE	FUSE	EA
52	G175202.00	TORQUE REACTION ARM	EA
53	CW4	CASTERS WITH LOCK	EA
54	B-1614-3	LEG SUPPORT BAR FOR SCI (SET)	EA
55	BL-50	1/2" TIGER GRIPS	EA
56	98330A280	LEG CLEVIS PIN 7/16 dia	EA
57	90149A032	HAIR PIN	EA
58	2481250	1/4 X 1/4 X 4-3/4 SQ KEY FOR R/A DRIVE	EA
59	A-8788	GEAR BOX TORQUE ARM	EA

SEE BELT SHEET FOR BELTS