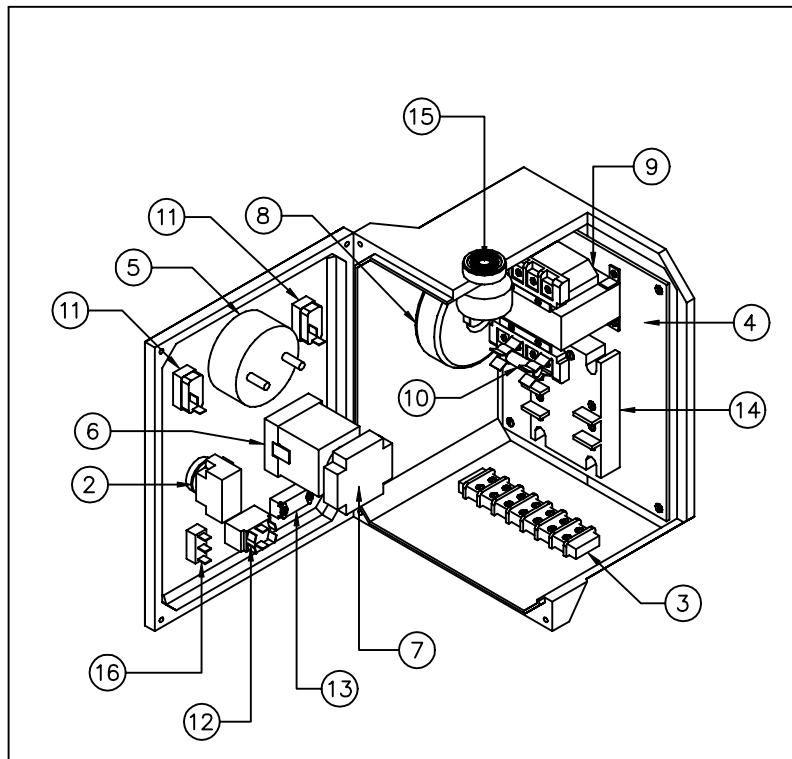
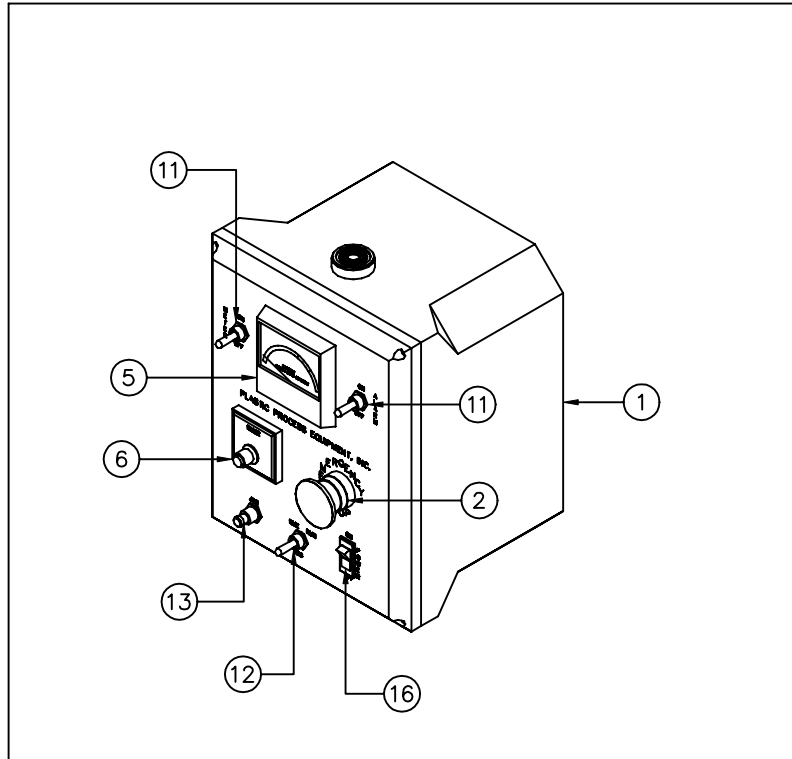


DTCP PARTS LIST



PLASTIC PROCESS EQUIPMENT, INC.

8303 Corporate Park Drive, Macedonia (CLEVELAND), OHIO 44056
 (216) 367-7000 TOLL FREE: 800-321-0562 FAX (216) 367-7022 ORDER FAX: 800-223-8305 EMAIL: SALES@PPE.COM

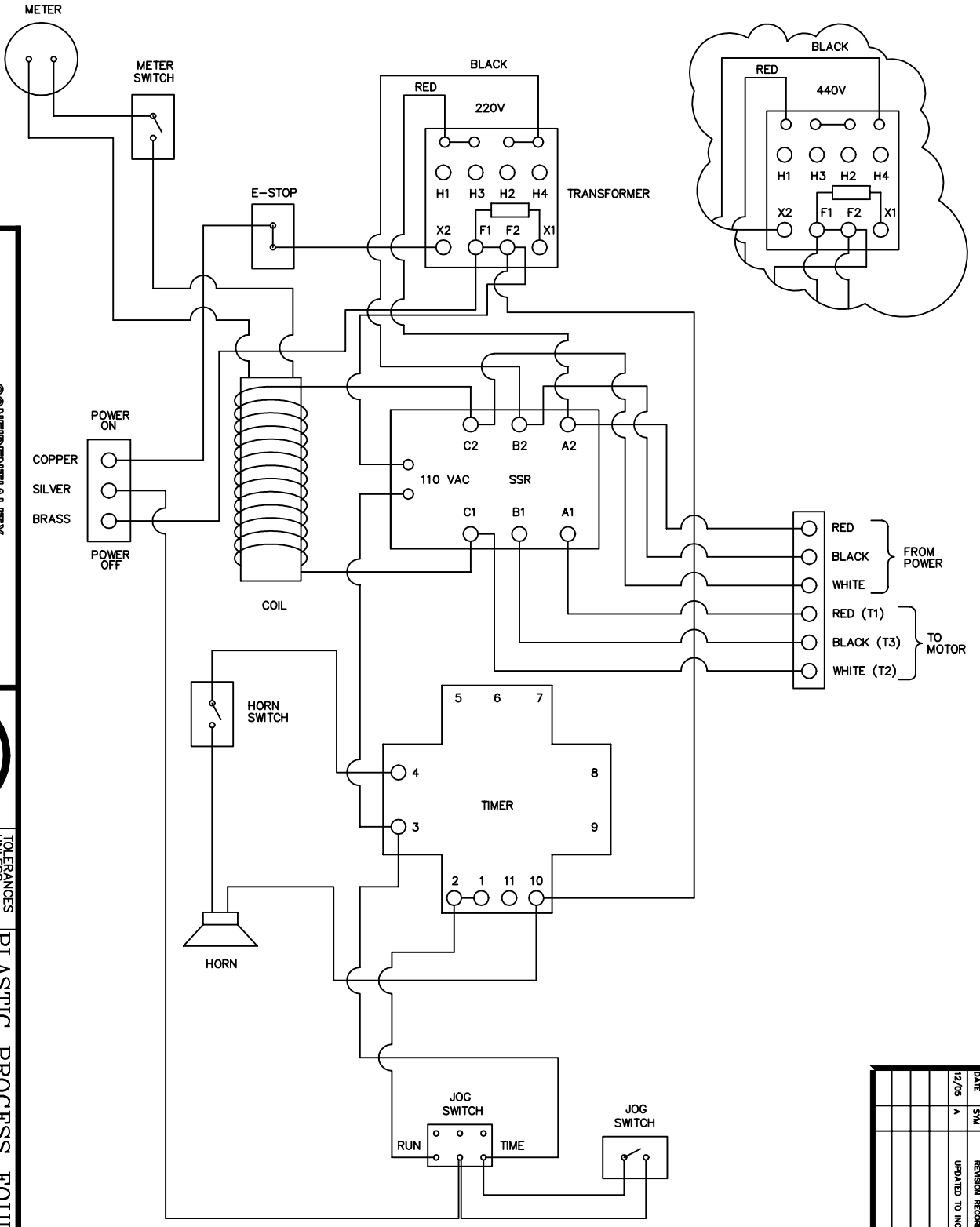
6385 Montessori Street, Las Vegas, Nevada 89113
 (702) 433-6385 TOLL FREE: 800-258-8877
 FAX: (702) 433-6388

11218 Challenger Ave., Odessa, FL 33556
 (727) 834-8888 TOLL FREE: 800-282-6783
 FAX: (727) 834-8873

DTCP PANEL PARTS LIST

09/16/15

ID NUMBER	PART NUMBER	DESCRIPTION	
1	NS1086	BOX WITH BLANK COVER FOR DTPC 8X10X6	
2	HW4BV4F01R	E-STOP BUTTON FOR DTCP	
3	515-0043	TERMINAL STRIP FOR DTCP	
4	JP108	BACKPLATE FOR DTCP BOX NS1086	
5	2153-17711	METER FOR DTCP	
6	CNS-35-76	TIMER (DIP SWITCH SETTINGS=#4 UP, REST DOWN	
7	27E892	SOCKET FOR DTCP	
8	58RBL500	CURRENT TRANSFORMER	
9	E050	TRANSFORMER	
10	FNM-1/2	FUSE FOR P-161 10kA/125V	
11	90-0001	MCGILL TOGGLE SWITCH	
12	683-0066	3 POSITION TOGGLE SWITCH FOR DTPC	
13	683-0100	PUSH BUTTON SWITCH FOR DTCP	
14	A53TP25D	SOLID STATE RELAY	
15	256-PB181C	AUDIO ALARM FOR DTCP	
16	1500R11E	ROCKER ON/OFF SWITCH	



CONFIDENTIALITY

ALL DRAWINGS AND SPECIFICATIONS IN ANY DRAWINGS OR DATA FURNISHED BY PLASTIC PROCESS EQUIPMENT, INC. ARE HEREBY DESIGNATED AS PROPRIETARY AND CONFIDENTIAL AND SHALL BE MAINTAINED BY USER AS SUCH INCLUDING, IN APPLICABLE CASES, IN CONFORMITY WITH EXISTING CORPORATE CONFIDENTIALITY AGREEMENTS. INFORMATION ON THIS DRAWING IS THE PROPERTY OF PLASTIC PROCESS EQUIPMENT, INC. AND SHALL NOT BE USED OR DISCLOSED TO THIRD PERSONS EXCEPT IN CONFORMITY WITH PLASTIC PROCESS EQUIPMENT, INC. CONSENT. REPRODUCTION RIGHTS ARE RESERVED BY PLASTIC PROCESS EQUIPMENT, INC.



TOLERANCES UNLESS OTHERWISE SPECIFIED		PLASTIC PROCESS EQUIPMENT, INC.	
DECIMAL	± .005	SCALE	MACEDONIA, OH
FRACTIONAL	± 1/16	DRAWN BY	DE
ANGULAR	± 1/2°	APPROVED BY	
DATE	5/5/05	TITLE	
DRAWING NUMBER		DTCPP WIRING DIAGRAM	
A-9521			

DATE	BY	REVISION RECORD	AUTH	DR	CR
12/05	A	UPDATED TO INCLUDE E-STOP		DE	