



VACUUM CUPS

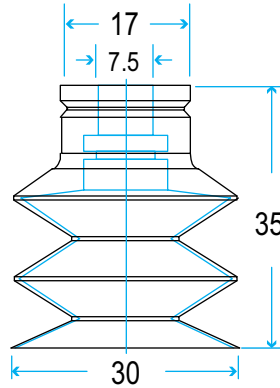
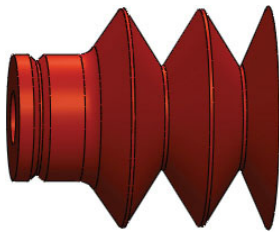


95 SERIES - 2.5 BELLOWS

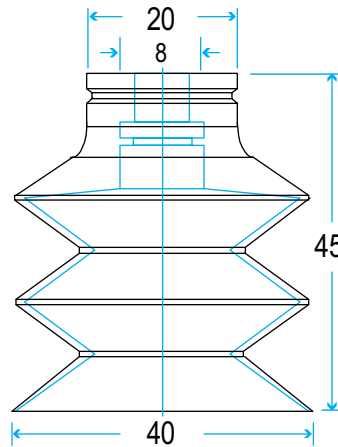
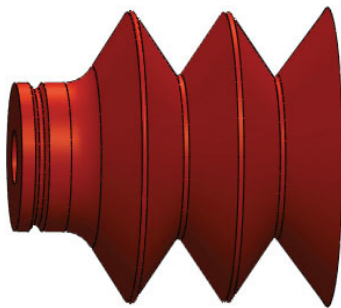
- Non-marking Silicone, NBR and Fluorine.
- Long Lasting 2.5 Bellows Vacuum Cups.
- Flexible for uneven surfaces.
- Comparable to Star type.

(SHOWN ACTUAL SIZE)

Material	Color	Max. Temp.	Durometer
Silicone	Red	428°F	50 Shore A
NBR	Black	248°F	50 Shore A
Fluorine	Blue	450°F	60 Shore A



Cup Ø	Fitting or Stem	Material	Wt.	Part No.	Price
30mm	Type 2	Silicone	6.2g	951130S	\$4.40
		NBR	6.3g	951130N	\$3.95
		Fluorine	10.1g	951130F	\$15.80



Cup Ø	Fitting or Stem	Material	Wt.	Part No.	Price
40mm	Type 2	Silicone	18.7g	951240S	\$4.75
		NBR	19.1g	951240N	\$4.15
		Fluorine	25.0g	951240F	\$17.55



PLASTIC PROCESS EQUIPMENT, INC.

8303 CORPORATE PARK DRIVE
 MACEDONIA, OHIO 44056-2300
 216-367-7000 • FAX: 216-367-7022
 TOLL FREE: 800-321-0562

6385 MONTESSOURI STREET
 LAS VEGAS, NEVADA 89113-1186
 702-433-6385 • FAX: 702-433-6388
 TOLL FREE: 800-258-8877

www.ppe.com
 e-mail: sales@ppe.com

Toll Free: USA, Canada & Mexico
800-362-0706

Order Fax: 800-223-8305