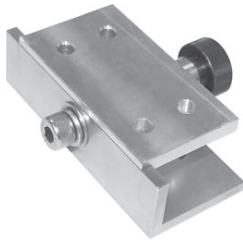


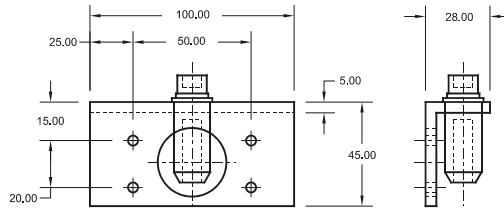


QUICK CHANGE SLIDE FOR RAPID MOUNTING OF EOAT ASSEMBLIES FOR TRAVERSE TYPE ROBOTS

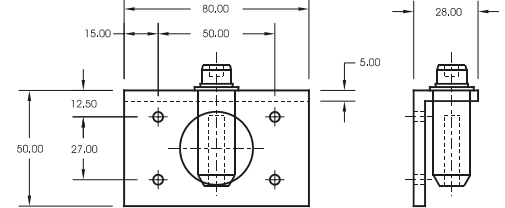
Quick Change Slides are the perfect way to save time when changing end of arm assemblies. Once the two halves are fastened to your robot and to the end of arm tooling frame assembly it takes only a couple minutes to unscrew the one knob and slip the assembly off to be replaced by another.



INTERCHANGEABLE WITH STAR STYLE



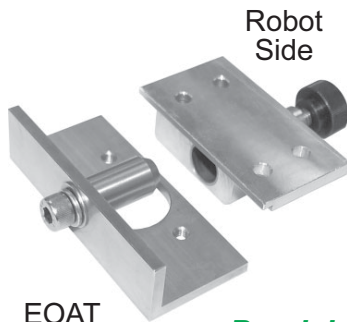
INTERCHANGEABLE WITH YUSHIN STYLE



All dimensions shown in mm.

All dimensions shown in mm.

Two halves separate quickly and easily without the need for tools.



Robot Side

EOAT Side

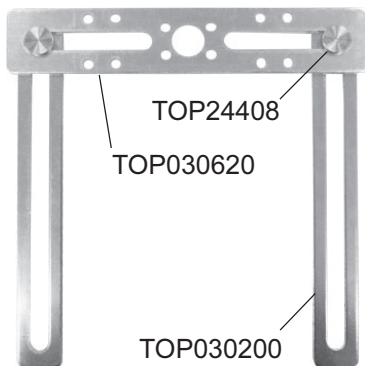
Precision Machined

PART NO.	DESCRIPTION	WEIGHT	PRICE
TOP10100T	QUICK CHANGE EOAT SIDE (Star style)	282g	\$80.95
TOP10100R	QUICK CHANGE ROBOT SIDE (Star style)	188g	\$176.85
TOP10200T	QUICK CHANGE EOAT SIDE (Yushin style)	265g	\$80.95
TOP10200R	QUICK CHANGE ROBOT SIDE (Yushin style)	187g	\$176.95



PHOENIX PICKER TOOLING EXTRA REPLACEMENT PARTS

THESE PARTS COME WITH EACH PICKER



PART NO.	DESCRIPTION	PRICE
TOPM5B4	4mm BARB	\$1.91
TOP31060T	VACUUM STEM, DOUBLE FITTING, 7mm DIA NIPPLE	\$10.26
TOP33010	10mm VACUUM PAD	\$3.08
TOPT4	PLASTIC Y FITTING	\$3.20
TOP030200	VERTICAL BAR 200mm LONG	\$6.92
TOP030620	BASE FRAME CROSSBAR 200mm LONG	\$10.00
TOP24408	BRASS FASTENER WITH NUT	\$3.31
TOP240-M5	10mm SUCTION CUP STEM END M5 THREAD	\$3.85



PLASTIC PROCESS EQUIPMENT, INC.

www.ppe.com • e-mail: sales@ppe.com

6385 Montessouri Street, Las Vegas, Nevada 89113
702-433-6385 • 800-258-8877 • Fax: 702-433-6388

11218 Challenger Avenue, Odessa, Florida 33556
727-834-8888 • 800-282-6783 • Fax: 727-834-8873

8303 CORPORATE PARK DRIVE, MACEDONIA (Cleveland), OHIO 44056, USA

Toll Free: USA, Canada & Mexico
800-362-0706

216-367-7000 • Toll Free: 800-321-0562 • Fax: 216-367-7022 • Order Fax: 800-223-8305