

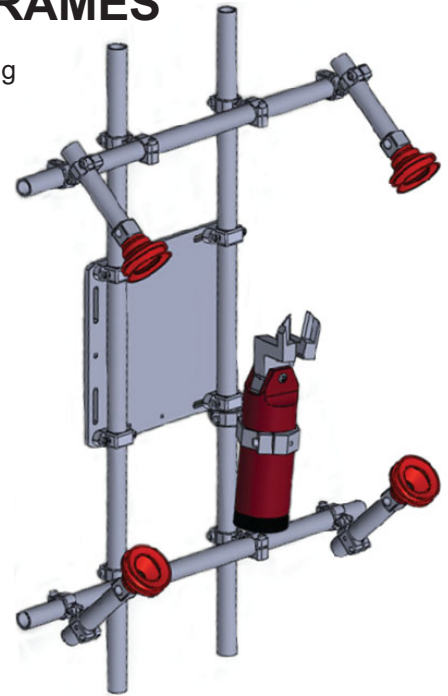


# METRIC ALUMINUM TUBING FOR BUILDING END OF ARM FRAMES

METRIC ALUMINUM TUBES are ideal for building custom robot end of arm tooling frames. The lightweight 6060-T6 extruded aluminum tubes are available in five (5) different diameters.



**5 SIZES  
AVAILABLE**



PART NO.	DESCRIPTION	WEIGHT Per Foot	PRICE Each Piece
MAT08	8mm O.D. x 1mm Wall Thickness x 36" Long	.664 oz.	\$7.97
MAT10	10mm O.D. x 1mm Wall Thickness x 36" Long	.825 oz.	\$9.42
MAT12	12mm O.D. x 1mm Wall Thickness x 36" Long	.993 oz.	\$10.05
MAT20	20mm O.D. x 1mm Wall Thickness x 36" Long	1.744 oz.	\$16.60
MAT30	30mm O.D. x 1mm Wall Thickness x 36" Long	2.672 oz.	\$43.68



# HEX KEY SETS

## LONG ARM SETS WITH CASE

### 12 PIECE AMERICAN



- 12  
SAE  
SIZES:
- .050"
  - 1/16"
  - 5/64"
  - 3/32"
  - 7/64"
  - 1/8"
  - 9/64"
  - 5/32"
  - 3/16"
  - 7/32"
  - 1/4"
  - 5/16"

Part No. **W1393**  
\$3.95 set

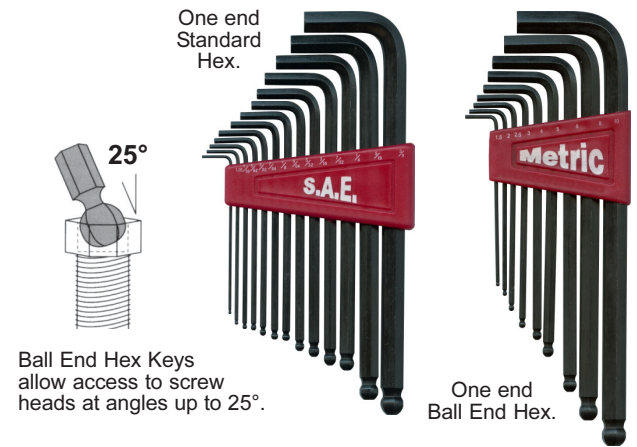
### 9 PIECE METRIC



- 9  
METRIC  
SIZES:
- 1.5mm
  - 2mm
  - 2.5mm
  - 3mm
  - 4mm
  - 5mm
  - 6mm
  - 8mm
  - 10mm

Part No. **W1394**  
\$4.15 set

## 22 PIECE **BALL END SET** WITH CASE AMERICAN & METRIC



- 13 SAE SIZES: .050", 1/16", 5/64", 3/32", 7/64", 1/8", 9/64", 5/32", 3/16", 7/32", 1/4", 5/16", 3/8"

- 9 METRIC SIZES: 1.5mm, 2mm, 2.5mm, 3mm, 4mm, 5mm, 6mm, 8mm, 10mm

Part No. **W80280** ..... \$12.00 set



# PLASTIC PROCESS EQUIPMENT, INC.

6385 Montessouri Street, Las Vegas, Nevada 89113  
702-433-6385 • 800-258-8877 • Fax: 702-433-6388

11218 Challenger Avenue, Odessa, Florida 33556  
727-834-8888 • 800-282-6783 • Fax: 727-834-8873

8303 CORPORATE PARK DRIVE, MACEDONIA (Cleveland), OHIO 44056, USA  
216-367-7000 • Toll Free: 800-321-0562 • Fax: 216-367-7022 • Order Fax: 800-223-8305

www.ppe.com • e-mail: sales@ppe.com

Toll Free: USA, Canada & Mexico  
**800-362-0706**