

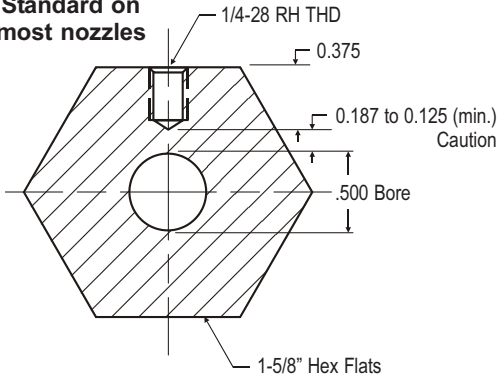


T.C. HOLE SPECIFICATIONS



STANDARD T.C. HOLES

Standard on most nozzles



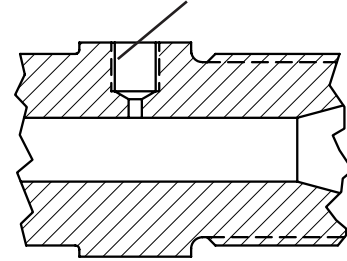
1/4-28 THD
Bottoming Tap

Example shown is with a 1-5/8" hex and a 1/2" dia. internal bore. A larger bore requires a larger hex.

Part No. TC1428
PRICE: \$9.00

STANDARD (HMTc) MELT T.C. HOLES

3/8-24 N.F.

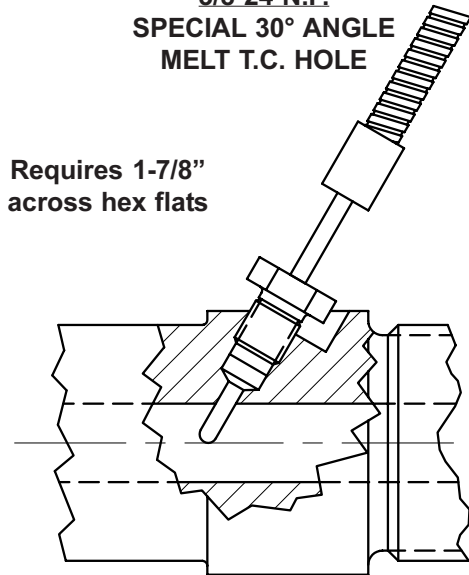


Part No. TC38HM
PRICE: \$22.00

3/8-24 N.F.

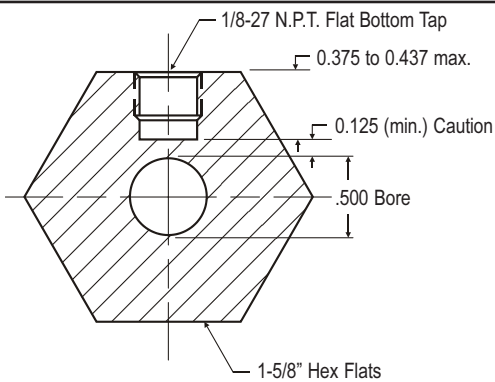
SPECIAL 30° ANGLE
MELT T.C. HOLE

Requires 1-7/8"
across hex flats



Part No. TC38HMA
PRICE: \$27.00

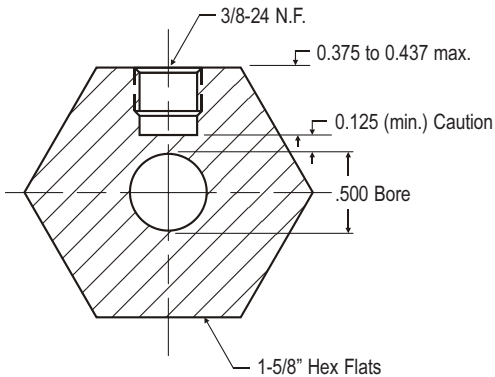
Full Taper Nozzles with 1" or larger rear openings require 2" hex for HMTc Melt T.C. hole.



1/8-27 N.P.T.
Flat Bottom
Drill & Tap

Example shown is with a 1-5/8" hex and a 1/2" dia. internal bore. A larger bore requires a larger hex.

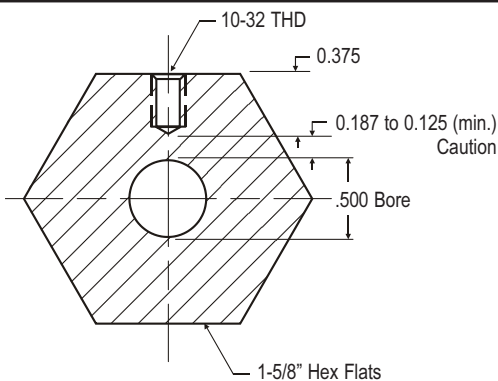
Part No. TC18PT
PRICE: \$9.00



3/8-24 N.F.
Flat Bottom
Drill & Tap

Example shown is with a 1-5/8" hex and a 1/2" dia. internal bore. A larger bore requires a larger hex.

Part No. TC38NF
PRICE: \$9.00



10-32 THD
Bottoming Tap

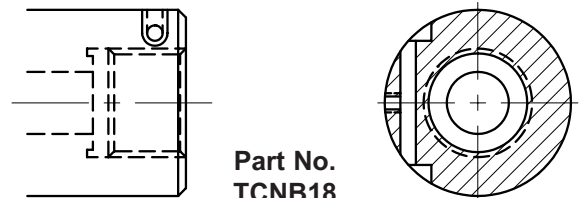
Example shown is with a 1-5/8" hex and a 1/2" dia. internal bore. A larger bore requires a larger hex.

Part No. TC1032
PRICE: \$9.00

NEWBURY OEM STYLE T.C. HOLES

1/8 DIA

Through hole with set screw.



Part No. TCNB18
PRICE: \$13.50



PLASTIC PROCESS EQUIPMENT, INC.

www.ppe.com • e-mail: sales@ppe.com

PPE WEST 6385 Montessouri Street, Las Vegas, Nevada 89113
702-433-6385 • 800-258-8877 • Fax: 702-433-6388

PPE SOUTH 11218 Challenger Avenue, Odessa, Florida 33556
727-834-8888 • 800-282-6783 • Fax: 727-834-8873

8303 CORPORATE PARK DRIVE, MACEDONIA (Cleveland), OHIO 44056, USA

Toll Free: USA, Canada & Mexico
800-362-0706

216-367-7000 • Toll Free: 800-321-0562 • Fax: 216-367-7022 • Order Fax: 800-223-8305