

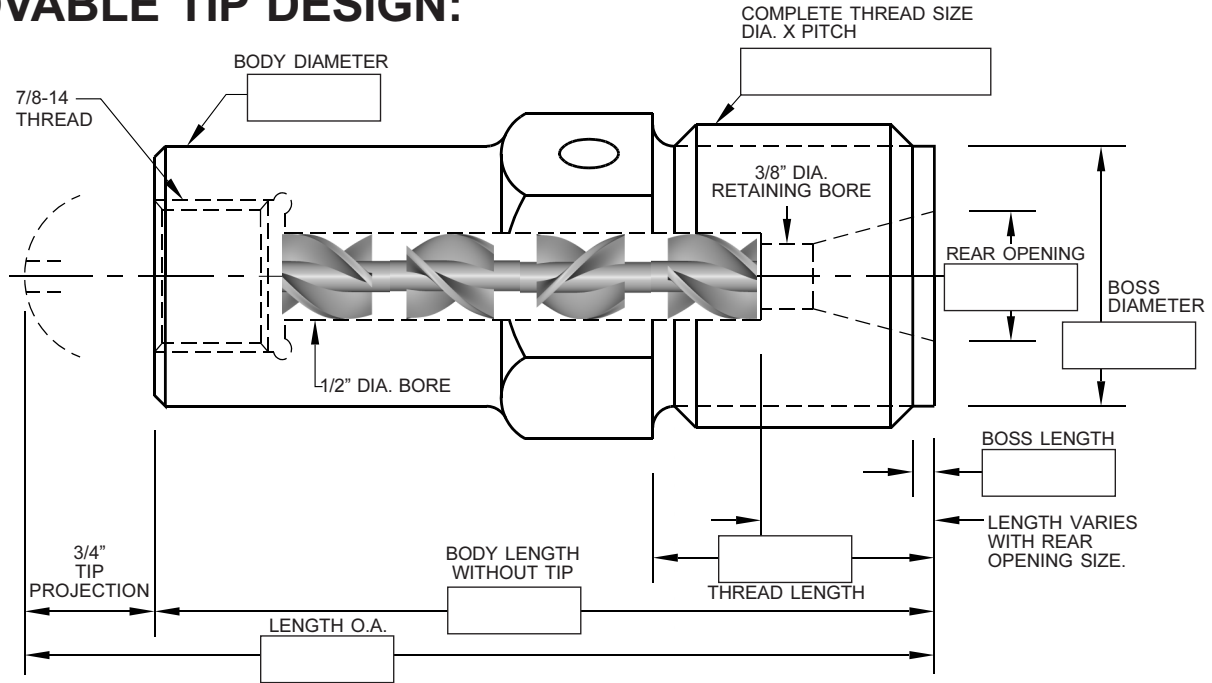


COLOR MIXING NOZZLES FOR HELIX MIXER SEGMENTS

Order Form (FILL IN THE DIMENSIONS)

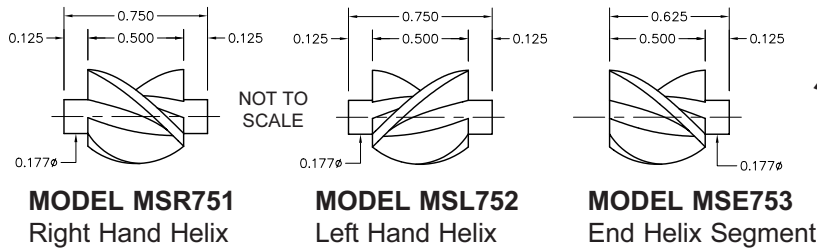
JUST MAKE A
COPY OF
THIS FORM
IN IT'S ENTIRETY

REMOVABLE TIP DESIGN:

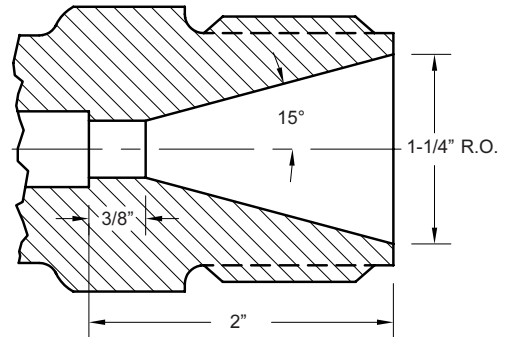


ALWAYS USE
A THREAD LUBE!

ALTERNATE VAN DORN V-17 ILLUSTRATED



NOT TO SCALE



ALSO SPECIFY:

MACHINE MAKE & TYPE: _____
 TIP: INTERNAL DESIGN GENERAL PURPOSE NYLON FULL TAPER
 HEATED DESIGN: EXTERNALLY BAND HEATED INTERNALLY CARTRIDGE HEATED
 THERMOCOUPLE HOLE - THREAD SIZE & LOCATION: _____
 YOUR COMPANY _____ YOUR P.O. NUMBER _____
 ADDRESS _____ FAX NUMBER _____
 CITY _____ STATE _____ ZIP _____
 PERSON TO CONTACT _____ TELEPHONE _____

© Copyright 2019 Plastic Process Equipment, Inc. Note: PPE customers may reproduce this form only in it's entirety.



PLASTIC PROCESS EQUIPMENT, INC.

www.ppe.com • e-mail: sales@ppe.com

6385 Montessouri Street, Las Vegas, Nevada 89113
702-433-6385 • 800-258-8877 • Fax: 702-433-6388

11218 Challenger Avenue, Odessa, Florida 33556
727-834-8888 • 800-282-6783 • Fax: 727-834-8873

8303 CORPORATE PARK DRIVE, MACEDONIA (Cleveland), OHIO 44056, USA

Toll Free: USA, Canada & Mexico
800-362-0706

216-367-7000 • Toll Free: 800-321-0562 • Fax: 216-367-7022 • Order Fax: 800-223-8305