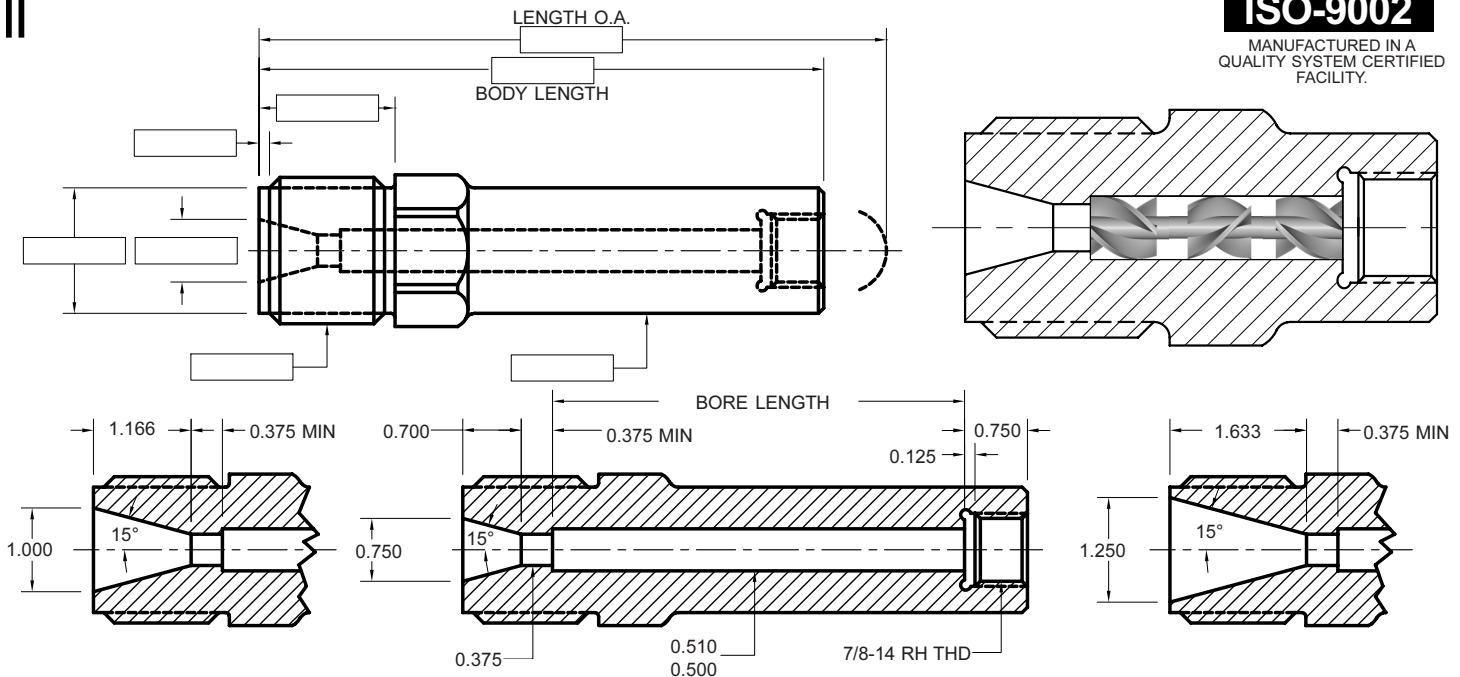




# COLOR MIXING NOZZLE Order Guide

## FOR HELIX MIXER SEGMENTS

**ISO-9002**  
 MANUFACTURED IN A  
 QUALITY SYSTEM CERTIFIED  
 FACILITY.



BODY LENGTH	REAR OPENING	BORE LENGTH	# OF SEGMENTS
4.250	0.750 (19.05mm)	2.025/2.030	3 (2 END, 1 MIDDLE)
	1.000 (25.4mm)	NA	NA
	1.250 (31.75mm)	NA	NA
5.250	0.750 (19.05mm)	2.775/2.780	4 (2 END, 2 MIDDLE)
	1.000 (25.4mm)	2.775/2.780	4 (2 END, 2 MIDDLE)
	1.250 (31.75mm)	2.025/2.030	3 (2 END, 1 MIDDLE)
6.250	0.750 (19.05mm)	4.275/4.280	6 (2 END, 4 MIDDLE)
	1.000 (25.4mm)	3.525/3.530	5 (2 END, 3 MIDDLE)
	1.250 (31.75mm)	2.775/2.780	4 (2 END, 2 MIDDLE)
7.250	0.750 (19.05mm)	5.025/5.030	7 (2 END, 5 MIDDLE)
	1.000 (25.4mm)	4.275/4.280	6 (2 END, 4 MIDDLE)
	1.250 (31.75mm)	4.275/4.280	6 (2 END, 4 MIDDLE)
8.250	0.750 (19.05mm)	5.775/5.780	8 (2 END, 6 MIDDLE)
	1.000 (25.4mm)	5.775/5.780	8 (2 END, 6 MIDDLE)
	1.250 (31.75mm)	5.025/5.030	7 (2 END, 5 MIDDLE)
9.250	0.750 (19.05mm)	7.275/7.280	10 (2 END, 8 MIDDLE)
	1.000 (25.4mm)	6.525/6.530	9 (2 END, 7 MIDDLE)
	1.250 (31.75mm)	5.775/5.780	8 (2 END, 6 MIDDLE)
10.250	0.750 (19.05mm)	8.025/8.030	11 (2 END, 9 MIDDLE)
	1.000 (25.4mm)	7.275/7.280	10 (2 END, 8 MIDDLE)
	1.250 (31.75mm)	7.275/7.280	10 (2 END, 8 MIDDLE)
11.250	0.750 (19.05mm)	8.775/8.780	12 (2 END, 10 MIDDLE)
	1.000 (25.4mm)	8.775/8.780	12 (2 END, 10 MIDDLE)
	1.250 (31.75mm)	8.025/8.030	11 (2 END, 9 MIDDLE)
12.250	0.750 (19.05mm)	10.275/10.280	14 (2 END, 12 MIDDLE)
	1.000 (25.4mm)	9.525/9.530	13 (2 END, 11 MIDDLE)
	1.250 (31.75mm)	8.775/8.780	12 (2 END, 10 MIDDLE)
13.250	0.750 (19.05mm)	11.025/11.030	15 (2 END, 13 MIDDLE)
	1.000 (25.4mm)	10.275/10.280	14 (2 END, 12 MIDDLE)
	1.250 (31.75mm)	10.275/10.280	14 (2 END, 12 MIDDLE)
14.250	0.750 (19.05mm)	11.775/11.780	16 (2 END, 14 MIDDLE)
	1.000 (25.4mm)	11.775/11.780	16 (2 END, 14 MIDDLE)
	1.250 (31.75mm)	11.025/11.030	15 (2 END, 13 MIDDLE)
15.250	0.750 (19.05mm)	13.275/13.280	18 (2 END, 16 MIDDLE)
	1.000 (25.4mm)	12.525/12.530	17 (2 END, 15 MIDDLE)
	1.250 (31.75mm)	11.775/11.780	16 (2 END, 14 MIDDLE)



**PLASTIC PROCESS EQUIPMENT, INC.**

www.ppe.com • e-mail: sales@ppe.com

**PPE WEST** 6385 Montessouri Street, Las Vegas, Nevada 89113  
 702-433-6385 • 800-258-8877 • Fax: 702-433-6388

**PPE SOUTH** 11218 Challenger Avenue, Odessa, Florida 33556  
 727-834-8888 • 800-282-6783 • Fax: 727-834-8873

8303 CORPORATE PARK DRIVE, MACEDONIA (Cleveland), OHIO 44056, USA

216-367-7000 • Toll Free: 800-321-0562 • Fax: 216-367-7022 • Order Fax: 800-223-8305

Toll Free: USA, Canada & Mexico  
**800-362-0706**