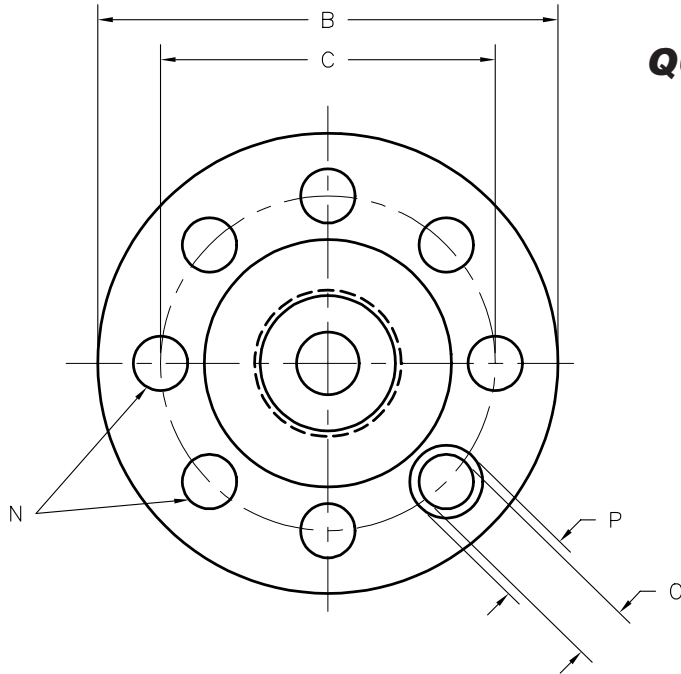
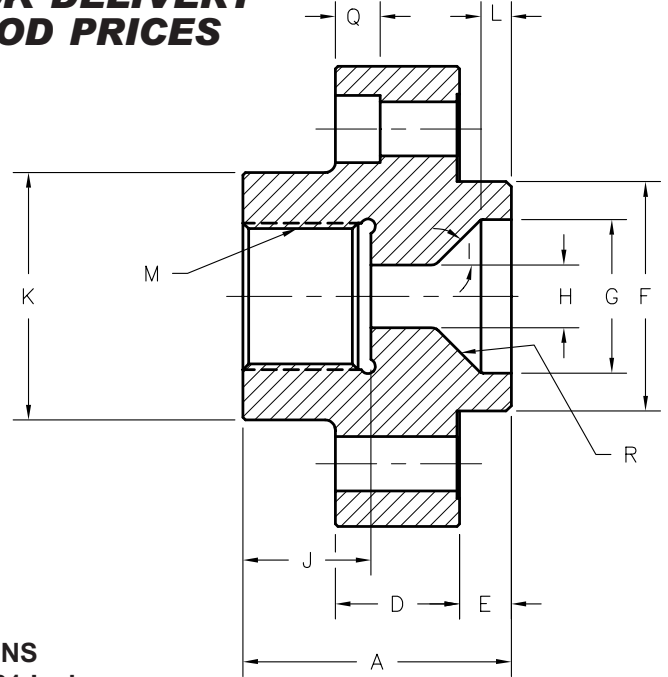




BARREL END CAPS AND ADAPTORS



**QUICK DELIVERY
GOOD PRICES**



**DIMENSIONS
Specify to 0.001 Inch**

Machine Make	_____	J. Depth of Female Thread . . .	_____
A. Overall Length	_____	K. Nozzle Support Diameter . .	_____
B. Flange Diameter	_____	L. Depth of Straight Bore	_____
C. Bolt Circle Diameter	_____	M. Thread Size & Type	_____
D. Flange Width	_____	N. Number of Bolt Holes	_____
E. Length of Pilot	_____	O. Bolt Hole Diameter	_____
F. Pilot Diameter	_____	P. Counterbore Dia (if any)	_____
G. Rear Opening	_____	Q. Counterbore Depth (if any) . .	_____
H. Bore Diameter	_____	R. Specify Steel	_____
I. Cone Angle	_____		

Indicate thermocouple hole position, thread size and depth.

**ANY MAKE OR MODEL
END CAP CAN BE MADE
TO YOUR SAMPLE OR DRAWING**

Normally our end caps are made from H-13 Tool Steel heat treated, however we will make them from D-2 heat treated or super wear resistant CPM 9V Steel heat treated. For corrosion resistant specify CPM S90V Stainles Tool Steel Please specify!

© Copyright 2019 Plastic Process Equipment, Inc.
Note: PPE customers may reproduce this form only in it's entirety.



PLASTIC PROCESS EQUIPMENT, INC.

www.ppe.com • e-mail: sales@ppe.com

PPE WEST 6385 Montessouri Street, Las Vegas, Nevada 89113
702-433-6385 • 800-258-8877 • Fax: 702-433-6388

PPE SOUTH 11218 Challenger Avenue, Odessa, Florida 33556
727-834-8888 • 800-282-6783 • Fax: 727-834-8873

8303 CORPORATE PARK DRIVE, MACEDONIA (Cleveland), OHIO 44056, USA
216-367-7000 • Toll Free: 800-321-0562 • Fax: 216-367-7022 • Order Fax: 800-223-8305

**Toll Free: USA, Canada & Mexico
800-362-0706**