

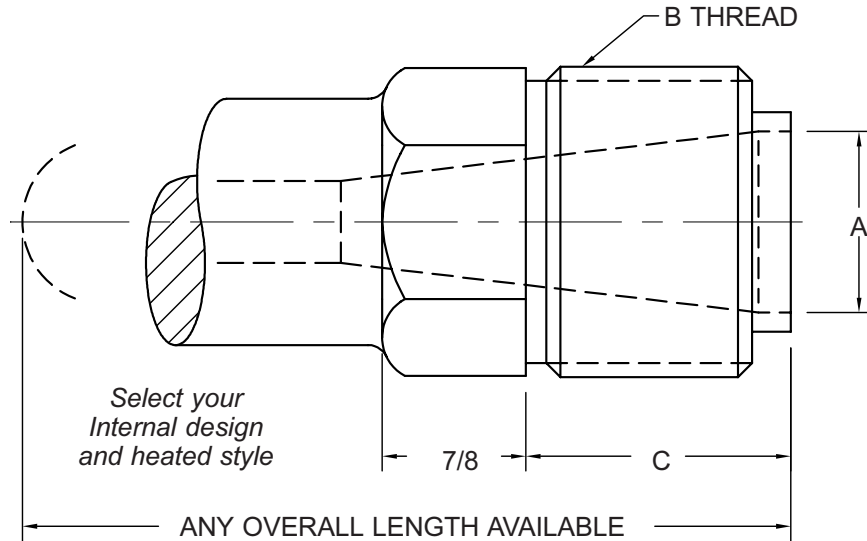


TOSHIBA / SHIBAURA MODELS



PPE MODEL NUMBER	SPECIFICATIONS	A REAR OPENING	B THREAD SIZE	C THREAD LENGTH
TO-67	MODEL ISP-40	28mm	48mm x 1.5mm	35mm
TO-68	50 TON	28mm	60mm x 4mm	41mm
TO-69		32mm	60mm x 4mm	41mm
TO-84	50 TON	36mm	60mm x 4mm	41mm
TO-65		.875"	48mm x 3mm	1.597"

ISO-9002
 MANUFACTURED IN A
 QUALITY SYSTEM CERTIFIED
 FACILITY.



BAND HEATED

STYLE A & B USE THE SAME NOZZLE BODY

LENGTH OVERALL	BODY LENGTH	RT GEN. PURP.	RT NYLON	RT FULL TAPER	SOLID GEN. PURP.	SOLID NYLON	SOLID FULL TAPER
		STYLE A	STYLE B	STYLE C	STYLE D	STYLE E	STYLE F
5"	4-1/4"	\$111.00	\$111.00	\$128.00	\$206.00	\$232.00	\$285.00
6"	5-1/4"	\$127.00	\$127.00	\$149.00	\$211.00	\$241.00	\$298.00
7"	6-1/4"	\$150.00	\$150.00	\$177.00	\$240.00	\$270.00	\$327.00
8"	7-1/4"	\$158.00	\$158.00	\$190.00	\$260.00	\$290.00	\$373.00
9"	8-1/4"	\$195.00	\$195.00	\$230.00	\$295.00	\$325.00	\$405.00
10"	9-1/4"	\$215.00	\$215.00	N/A	\$325.00	\$355.00	N/A
12"	11-1/4"	\$268.00	\$268.00	N/A	\$390.00	\$422.00	N/A

PRICE DOES NOT INCLUDE TIP

- HOW TO ORDER**
1. Specify the make & PPE model no.
 2. Specify style - A, B, C, etc. (see pages 1106 & 1107).
 3. Specify length overall.
 4. Specify radius: 1=1/2 rad, 3=3/4 rad, F=Flat Face
 5. Specify orifice.
 6. Specify any other requirements such as: T.C. holes, flash chrome, pineapple bore, volts & watts, etc.

CARTRIDGE HEATED

SAME NOZZLE BODY

LENGTH OVERALL	BODY LENGTH	RT GEN. PURP.	RT NYLON	RT FULL TAPER	SOLID GEN. PURP.	SOLID NYLON	SOLID FULL TAPER	CARTRIDGE HEATERS WITH SWAGED IN LEADS		
		STYLE G	STYLE H	STYLE I	STYLE J	STYLE K	STYLE L	Dia x Length	Volts	Watts
5"	4-1/4"	\$133.00	\$133.00	\$152.00	\$235.00	\$269.00	\$317.00	1/4" x 2"	120/240	150
6"	5-1/4"	\$156.00	\$156.00	\$178.00	\$250.00	\$281.00	\$337.00	1/4" x 3"	120/240	200
7"	6-1/4"	\$185.00	\$185.00	\$213.00	\$285.00	\$317.00	\$374.00	1/4" x 4"	120/240	250
8"	7-1/4"	\$200.00	\$200.00	\$232.00	\$310.00	\$343.00	\$423.00	1/4" x 5"	120/240	325
9"	8-1/4"	\$241.00	\$241.00	\$267.00	\$350.00	\$382.00	\$464.00	1/4" x 6"	120/240	400
10"	9-1/4"	\$268.00	\$268.00	N/A	\$385.00	\$420.00	N/A	1/4" x 7"	120/240	525
12"	11-1/4"	\$333.00	\$333.00	N/A	\$467.00	\$495.00	N/A	1/4" x 9"	120/240	600

PRICE DOES NOT INCLUDE TIP

3/16" cartridge type T.C. hole drilled in cartridge heated model. Add \$24.00 to nozzle cost and specify. Model CTC-148 cartridge type thermocouple 3/16" dia with 48" leads. See Thermocouple section for pricing. Standard T.C. hole in hex available. Specify thread size. Price \$11.00

	PLASTIC PROCESS EQUIPMENT, INC. 8303 CORPORATE PARK DRIVE MACEDONIA, OHIO 44056 216-367-7000 • FAX: 216-367-7022 TOLL FREE: 800-321-0562	6385 MONTESSOURI STREET LAS VEGAS, NEVADA 89113 702-433-6385 • FAX: 702-433-6388 TOLL FREE: 800-258-8877	www.ppe.com e-mail: sales@ppe.com Toll Free: USA, Canada & Mexico 800-362-0706 Order Fax: 800-223-8305
	EAST	WEST	