



ARBURG MODELS

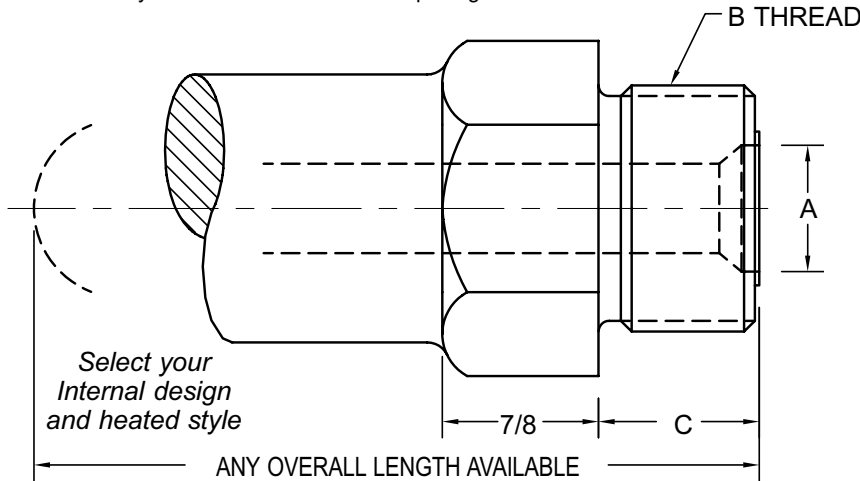


PPE MODEL NUMBER	SPECIFICATIONS	A REAR OPENING	B THREAD SIZE	C THREAD LENGTH
AR-20		18mm	35mm x 1.5mm*	.900"
AR-79		18mm	35mm x 2mm LH	.900"
★ AR-183		12mm	36mm x 2mm RH	1.354"
★ AR-184		12mm	36mm x 2mm RH	1.337"
★ AR-188		12mm	36mm x 2mm RH	1.367"
AR-200		18mm	36mm x 2mm LH	1.377"
AR-201		25mm	36mm x 2mm LH	1.377"

***SPECIFY LEFT OR RIGHT HAND THREADS**

★ Can not be made as styles C or I due to small rear opening.

7/8 - 14 THREAD
 SUPPLIED ON REMOVABLE TIP MODELS UNLESS M24 x 1.5mm IS SPECIFIED ADD \$21.50 EXTRA



ISO-9002

MANUFACTURED IN A QUALITY SYSTEM CERTIFIED FACILITY.

Select your Internal design and heated style

ANY OVERALL LENGTH AVAILABLE

BAND HEATED		STYLE A & B USE THE SAME NOZZLE BODY					
LENGTH OVERALL	BODY LENGTH	RT GEN. PURP. STYLE A	RT NYLON STYLE B	RT FULL TAPER STYLE C	SOLID GEN. PURP. STYLE D	SOLID NYLON STYLE E	SOLID FULL TAPER STYLE F
5"	4-1/4"	\$64.00	\$64.00	\$79.00	\$109.00	\$135.00	\$182.00
6"	5-1/4"	74.00	74.00	93.00	124.00	150.00	204.00
7"	6-1/4"	94.00	94.00	116.00	139.00	166.00	213.00
8"	7-1/4"	107.00	107.00	138.00	156.00	183.00	258.00
9"	8-1/4"	115.00	115.00	145.00	176.00	204.00	278.00
10"	9-1/4"	144.00	144.00	N/A	200.00	227.00	N/A
12"	11-1/4"	180.00	180.00	N/A	277.00	305.00	N/A

PRICE DOES NOT INCLUDE TIP

HOW TO ORDER

1. Specify the make & PPE model no.
2. Specify style - A, B, C, etc. (see pages 1184 & 1185).
3. Specify length overall.
4. Specify radius: 1=1/2 rad, 3=3/4 rad, F=Flat Face
5. Specify orifice.
6. Specify any other requirements such as: T.C. holes, flash chrome, pineapple bore, volts & watts, etc.

CARTRIDGE HEATED		SAME NOZZLE BODY						CARTRIDGE HEATERS WITH SWAGED IN LEADS		
LENGTH OVERALL	BODY LENGTH	RT GEN. PURP. STYLE G	RT NYLON STYLE H	RT FULL TAPER STYLE I	SOLID GEN. PURP. STYLE J	SOLID NYLON STYLE K	SOLID FULL TAPER STYLE L	Dia x Length	Volts	Watts
5"	4-1/4"	\$84.00	\$84.00	\$99.50	\$134.00	\$193.00	\$237.00	1/4" x 2"	120/240	150
6"	5-1/4"	100.00	100.00	119.00	165.00	228.00	279.00	1/4" x 3"	120/240	200
7"	6-1/4"	124.00	124.00	147.00	180.00	248.00	300.00	1/4" x 4"	120/240	250
8"	7-1/4"	142.00	142.00	170.00	203.00	276.00	350.00	1/4" x 5"	120/240	325
9"	8-1/4"	156.00	156.00	187.00	228.00	308.00	380.00	1/4" x 6"	120/240	400
10"	9-1/4"	185.00	185.00	N/A	258.00	344.00	N/A	1/4" x 7"	120/240	525
12"	11-1/4"	240.00	240.00	N/A	345.00	443.00	N/A	1/4" x 9"	120/240	600

PRICE DOES NOT INCLUDE TIP

3/16" cartridge type T.C. hole drilled in cartridge heated model. Add \$21.50 to nozzle cost and specify. Model CTC-148 cartridge type thermocouple 3/16" dia with 48" leads. See Thermocouple section for pricing. Standard T.C. hole in hex available. Specify thread size. Price\$9.00



PLASTIC PROCESS EQUIPMENT, INC.

www.ppe.com • e-mail: sales@ppe.com

6385 Montessouri Street, Las Vegas, Nevada 89113
 702-433-6385 • 800-258-8877 • Fax: 702-433-6388

11218 Challenger Avenue, Odessa, Florida 33556
 727-834-8888 • 800-282-6783 • Fax: 727-834-8873

8303 CORPORATE PARK DRIVE, MACEDONIA (Cleveland), OHIO 44056, USA

Toll Free: USA, Canada & Mexico

216-367-7000 • Toll Free: 800-321-0562 • Fax: 216-367-7022 • Order Fax: 800-223-8305

800-362-0706