



PIN-FREE BALL CHECK SCREW TIPS

O.E.M. SIZE SPECIFICATIONS DUPLICATED

FEATURES:

- Easy Flow Replaceable Pin-Free Inserts
- Ball Guides for Quick 360° Shut-off
- Replaceable Seat (Extra Tough D-2)
- Multiple Feed Ports Reduces Frictional Heat
- Heat Treated for Extra Wear Resistance

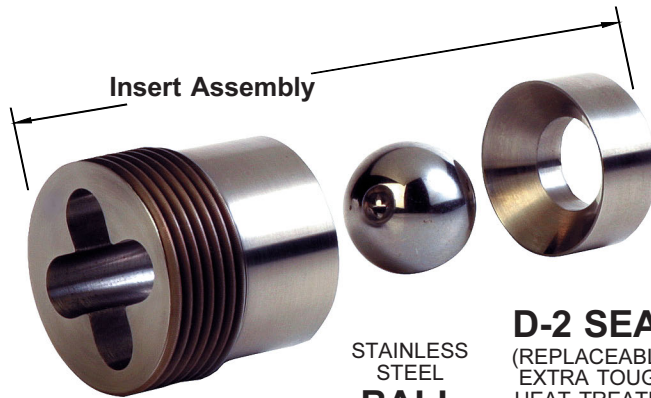
PPE Pin-Free Ball Checks were engineered, developed and tested by customers for several years prior to our offering them for sale. Our design features an easy-flow, pin free, tool steel insert, easy to replace tool steel ball seat, and a properly designed body to be wear resistant but not brittle. Our four feed holes, properly engineered internal flow passages and insert packages are calculated to permit maximum possible melt flow.



Made in USA

STYLE 6

PIN-FREE INSERT
SIZED TO SUIT THE TIP!



H-13

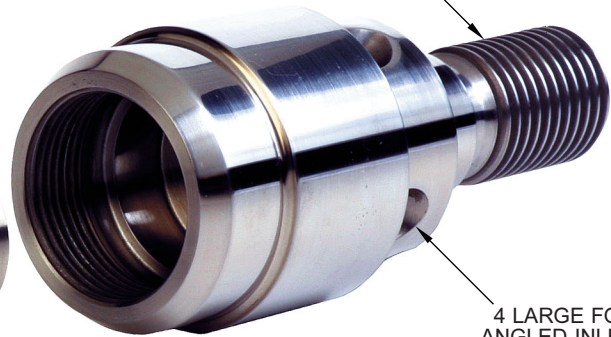
PIN-FREE INSERT

IS BALL GUIDE, BALL STOP BOTH WAYS AND SEAT RETAINER

STAINLESS
STEEL
BALL
SIZED TO
MATERIAL
OUTPUT

D-2 SEAT
(REPLACEABLE)
EXTRA TOUGH
HEAT TREATED
WEAR RESISTANT

SHANK THREAD
TO MATCH
YOUR SCREW

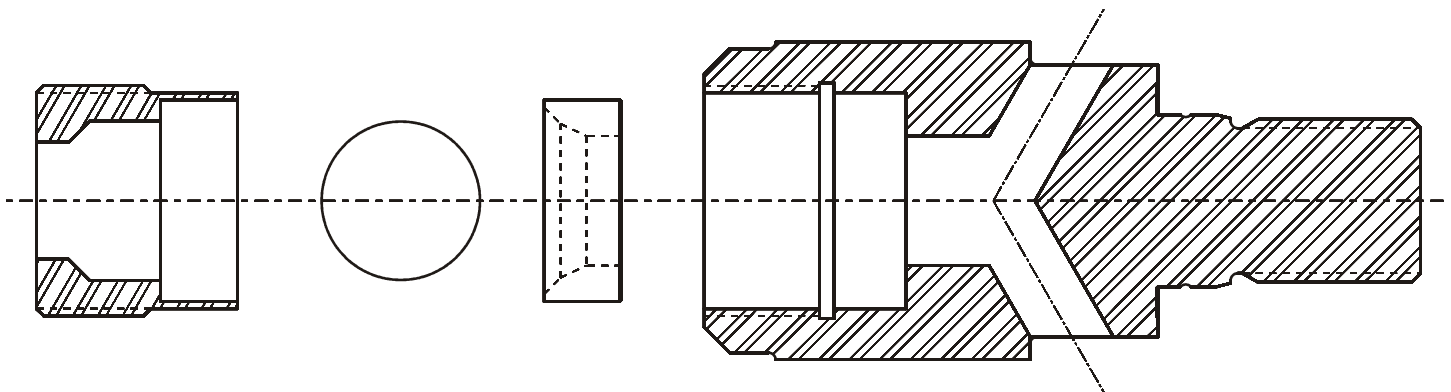


H-13 BODY

4 LARGE FORWARD
ANGLED INLET HOLES
SIZED TO EXCEED
YOUR OUTPUT

**IDEAL FOR USE ON POLYETHYLENE
AND POLYPROPYLENE MATERIALS**

FOR GLASS AND MINERAL FILLED MATERIALS USE OUR FREE FLOW
CHECK RING VALVES AS SUGGESTED BY YOUR MATERIAL SUPPLIERS.



PLASTIC PROCESS EQUIPMENT, INC.

www.ppe.com • e-mail: sales@ppe.com

PPE WEST 6385 Montessouri Street, Las Vegas, Nevada 89113
702-433-6385 • 800-258-8877 • Fax: 702-433-6388

PPE SOUTH 11218 Challenger Avenue, Odessa, Florida 33556
727-834-8888 • 800-282-6783 • Fax: 727-834-8873

8303 CORPORATE PARK DRIVE, MACEDONIA (Cleveland), OHIO 44056, USA

216-367-7000 • Toll Free: 800-321-0562 • Fax: 216-367-7022 • Order Fax: 800-223-8305

Toll Free: USA, Canada & Mexico
800-362-0706