



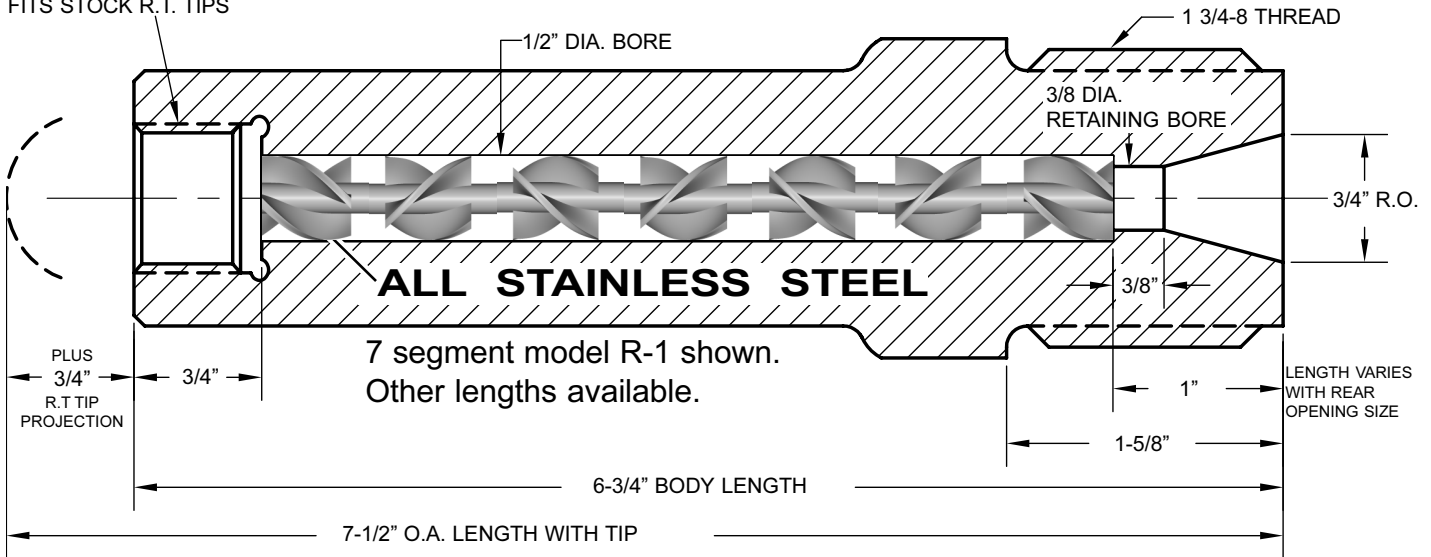
COLOR MIXING NOZZLES

WITH HELIX MIXER SEGMENTS - RIGHT & LEFT HAND
GOOD COLOR MIXING WITHOUT FLOW RESTRICTION

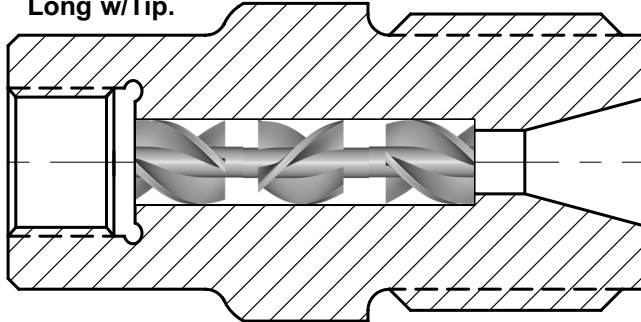
- ALL STAINLESS STEEL MIXER SEGMENTS FOR ABRASION AND CORROSION RESISTANCE.
- HEAT TREATED SEGMENTS 48-53 Rc.
- 3 HELIX TYPES: RIGHT, LEFT & RIGHT END.
- 3 FLIGHTS SPACED 120° X 1.5 PITCH.
- FITS STANDARD 1/2" BORE NOZZLES.

Helix mixer segment nozzles with a special anti-suckback 3/8" bore as illustrated are available in removable tip design. This allows you to insert the mixing sections from the front end and retain them in the rear with the 3/8" dia. bore. This avoids the possibility of suckback into the screw tip area.

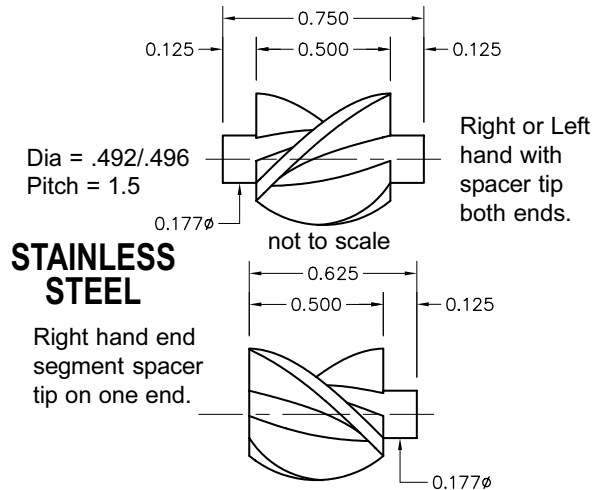
7/8-14 THREAD
FITS STOCK R.T. TIPS



Illustrated: For a minimum of 3 Helix mixer segments: Model R-1 Nozzle 3/4" Rear Opening, 3-3/4" Body Length, 4-1/2" Long w/Tip.



For a 5 Helix mixer segment R-1 Nozzle 3/4" R.O., R.T. body length must be 5-1/4", or 6" length O.A. with R.T. tip in place.



PART NO.	DESCRIPTION	PRICES
R-1A634HMS	BODY ONLY 1 3/4-8 THD, 3/4 R.O. 6-3/4" LONG W/RETAINING BORE (less tip)	\$138.00
R-1A334HMS	BODY ONLY 1 3/4-8 THD, 3/4 R.O. 3-3/4" LONG W/RETAINING BORE (less tip)	95.00
MSR751	RIGHT HAND HELIX SEGMENT STAINLESS STEEL	18.00
MSL752	LEFT HAND HELIX SEGMENT STAINLESS STEEL	18.00
MSE753	END HELIX SEGMENT STAINLESS STEEL	18.00

For Helix mixer retaining bore supplied in R.T. Bodies - specify HMS and add 31.00



PLASTIC PROCESS EQUIPMENT, INC.

www.ppe.com • e-mail: sales@ppe.com

PPE WEST 6385 Montessouri Street, Las Vegas, Nevada 89113
702-433-6385 • 800-258-8877 • Fax: 702-433-6388

PPE SOUTH 11218 Challenger Avenue, Odessa, Florida 33556
727-834-8888 • 800-282-6783 • Fax: 727-834-8873

8303 CORPORATE PARK DRIVE, MACEDONIA (Cleveland), OHIO 44056, USA

Toll Free: USA, Canada & Mexico
800-362-0706

216-367-7000 • Toll Free: 800-321-0562 • Fax: 216-367-7022 • Order Fax: 800-223-8305