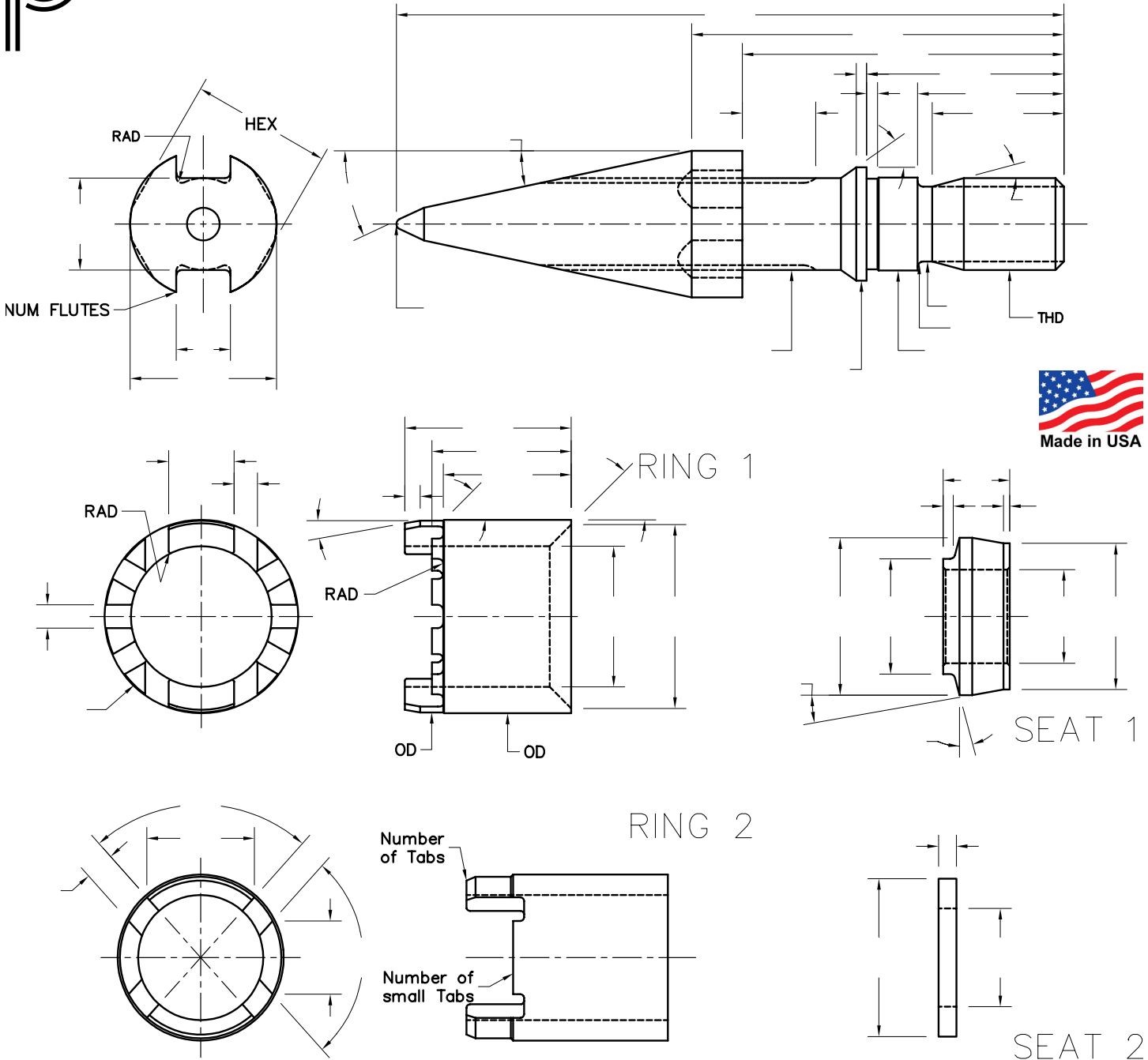




CASTLE RING ORDER FORM



PLEASE SPECIFY DIMENSIONS TO .001"

NOTE: PLEASE BE AWARE - THE DIMENSIONS YOU ARE GIVING US MAY BE FROM WORN OR DAMAGED PARTS AND MAY NOT BE ACCURATE. FOR BEST ACCURACY, WE RECOMMEND THAT YOU SEND THE PARTS TO US.

MACHINE MAKE & TYPE: _____

YOUR COMPANY _____ YOUR P.O. NUMBER _____

ADDRESS _____ FAX NUMBER _____

CITY _____ STATE _____ ZIP _____

PERSON TO CONTACT _____ TELEPHONE _____

© Copyright 2016 Plastic Process Equipment, Inc. Note: PPE customers may reproduce this form only in it's entirety.



PLASTIC PROCESS EQUIPMENT, INC.

www.ppe.com • e-mail: sales@ppe.com

PPE WEST 6385 Montessouri Street, Las Vegas, Nevada 89113
702-433-6385 • 800-258-8877 • Fax: 702-433-6388

PPE SOUTH 11218 Challenger Avenue, Odessa, Florida 33556
727-834-8888 • 800-282-6783 • Fax: 727-834-8873

8303 CORPORATE PARK DRIVE, MACEDONIA (Cleveland), OHIO 44056, USA

Toll Free: USA, Canada & Mexico
800-362-0706

216-367-7000 • Toll Free: 800-321-0562 • Fax: 216-367-7022 • Order Fax: 800-223-8305