



# PIN-FREE BALL CHECK SCREW TIPS

## O.E.M. SIZE SPECIFICATIONS DUPLICATED

### FEATURES:

- Easy Flow Replaceable Pin-Free Inserts
- Ball Guides for Quick 360° Shut-off
- Replaceable Seat (Extra Tough D-2)
- Multiple Feed Ports Reduces Frictional Heat
- Heat Treated for Extra Wear Resistance

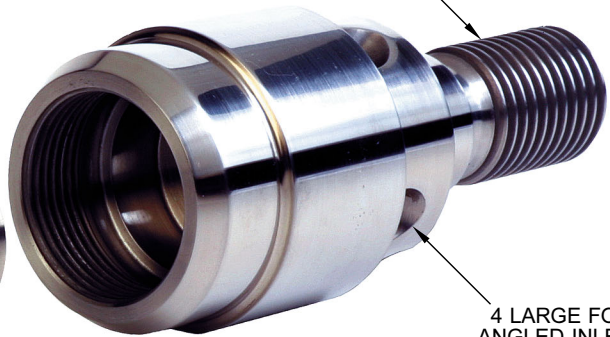
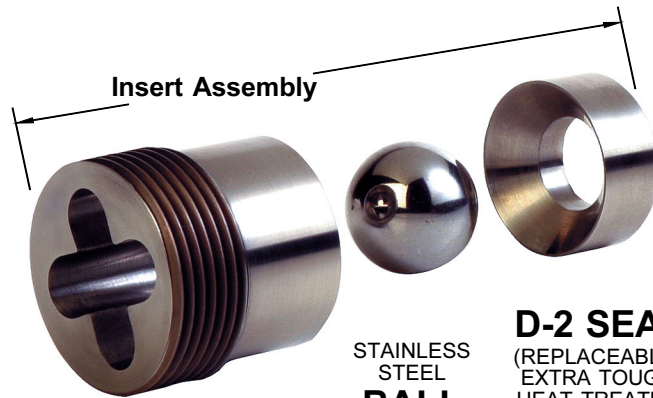
PPE Pin-Free Ball Checks were engineered, developed and tested by customers for several years prior to our offering them for sale. Our design features an easy-flow, pin free, tool steel insert, easy to replace tool steel ball seat, and a properly designed body to be wear resistant but not brittle. Our four feed holes, properly engineered internal flow passages and insert packages are calculated to permit maximum possible melt flow.



Made in USA

## STYLE 6

### PIN-FREE INSERT SIZED TO SUIT THE TIP!



### H-13

### PIN-FREE INSERT

IS BALL GUIDE, BALL STOP BOTH WAYS AND SEAT RETAINER

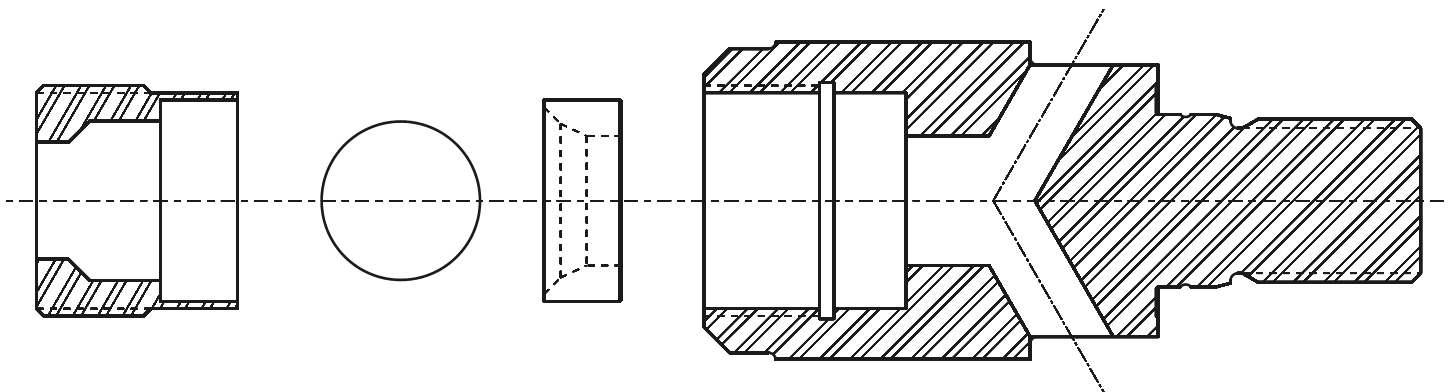
STAINLESS STEEL  
**BALL**  
SIZED TO MATERIAL OUTPUT

**D-2 SEAT**  
(REPLACEABLE)  
EXTRA TOUGH  
HEAT TREATED  
WEAR RESISTANT

### H-13 BODY

### IDEAL FOR USE ON POLYETHYLENE AND POLYPROPYLENE MATERIALS

FOR GLASS AND MINERAL FILLED MATERIALS USE OUR FREE FLOW CHECK RING VALVES AS SUGGESTED BY YOUR MATERIAL SUPPLIERS.



## PLASTIC PROCESS EQUIPMENT, INC.

www.ppe.com • e-mail: sales@ppe.com

**PPE WEST** 6385 Montessouri Street, Las Vegas, Nevada 89113  
702-433-6385 • 800-258-8877 • Fax: 702-433-6388

**PPE SOUTH** 11218 Challenger Avenue, Odessa, Florida 33556  
727-834-8888 • 800-282-6783 • Fax: 727-834-8873

8303 CORPORATE PARK DRIVE, MACEDONIA (Cleveland), OHIO 44056, USA

216-367-7000 • Toll Free: 800-321-0562 • Fax: 216-367-7022 • Order Fax: 800-223-8305

Toll Free: USA, Canada & Mexico  
**800-362-0706**