



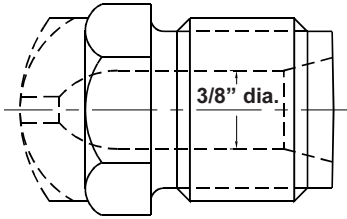
# RT NOZZLE TIPS

## H-13 TOOL STEEL & CPM 9V SUPER TOUGH

**ISO-9002**  
MANUFACTURED IN A  
QUALITY SYSTEM CERTIFIED  
FACILITY.

PPE Tool Steel Tips are made of High Quality Wear Resistant H-13 Tool Steel. The 7/8"-14 thread and 1/2" dia. rear opening are the industry standards and fit all competing RT adaptor bodies. The hardness is 46-48 Rc. Beware of cheaper pre-heat treated 4140 RT Nozzle Tips. Also check the way the bore is drilled and polished! CPM 9V Extra Long Lasting Wear Resistant Steel Tips available, 56-58 Rc.

### GENERAL PURPOSE



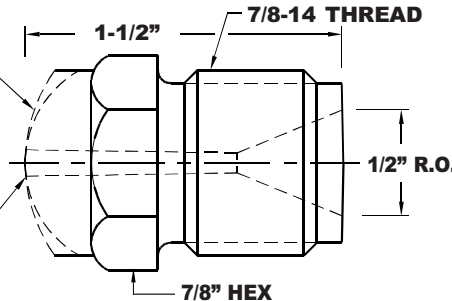
For use on General Purpose Materials such as Polyethylene, Styrenes, etc.

### SPECIFY RADIUS

1/2" or 3/4"  
10 or 15mm  
or Flat

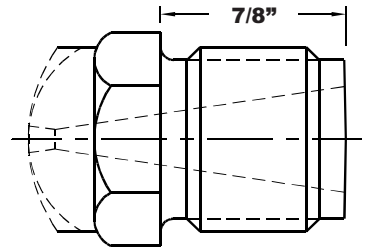
SPECIFY ORIFICE

### NYLON



Reduces drool when molding nylon.

### FULL INTERNAL TAPER



For use with ABS, PVC, Acrylics, Sulfones, Polycarbonate and other engineered materials.

### 1-1/2" LENGTH O.A. GENERAL PURPOSE

SIZES		PART NO.	PRICE
RADIUS	ORIFICE		
1/2" Rad.	1/16"	RTG1116	\$17.75
	3/32"	RTG1332	
	1/8"	◆ RTG118	
	5/32"	◆ RTG1532	
	3/16"	◆ RTG1316	
	7/32"	RTG1732	
	1/4"	◆ RTG114	
	9/32"	RTG1932	
	5/16"	RTG1516	
	11/32"	RTG11132	
	3/8"	RTG138	
	1/2"	RTG112	
3/4" Rad.	1/16"	RTG3116	\$17.75
	3/32"	RTG3332	
	1/8"	◆ RTG318	
	5/32"	◆ RTG3532	
	3/16"	◆ RTG3316	
	7/32"	RTG3732	
	1/4"	◆ RTG314	
	9/32"	RTG3932	
	5/16"	RTG3516	
	11/32"	RTG31132	
	3/8"	RTG338	
	7/16"	RTG3716	
1/2"	RTG312		

### 1-1/2" NYLON

PART NO.	PRICE
RTN1116	\$17.75
RTN1332	
RTN118	
RTN1532	
RTN1316	
RTN1732	
RTN114	
RTN1932	
RTN1516	
RTN11132	
RTN138	
N/A	
RTN3116	\$17.75
RTN3332	
RTN318	
RTN3532	
RTN3316	
RTN3732	
RTN314	
RTN3932	
RTN3516	
RTN31132	
RTN338	
RTN3716	
N/A	

### 1-1/2" FULL TAPER

PART NO.	PRICE
N/A	\$17.75
RTFT1332	
RTFT118	
RTFT1532	
RTFT1316	
RTFT1732	
RTFT114	
RTFT1932	
RTFT1516	
RTFT11132	
RTFT138	
N/A	
N/A	\$17.75
RTFT3332	
RTFT318	
RTFT3532	
RTFT3316	
RTFT3732	
RTFT314	
RTFT3932	
RTFT3516	
RTFT31132	
RTFT338	
RTFT3716	
N/A	

◆ CPM9V Super Tough Wear Resistant Tips 56-58 Rc available. Add "S" prefix to the part number. Price ..... \$44.00 ea.

TO ORDER FLAT FACE TIPS SPECIFY FLAT PART NUMBER WHEN ORDERING:

EXAMPLE PART NUMBER: RTGF18

RT	G	F	18
TYPE	RADIUS	ORIFICE	
G	1 = 1/2"	1/8"	
N	3 = 3/4"	5/32"	
FT	F = Flat	ect.	



## PLASTIC PROCESS EQUIPMENT, INC.

8303 CORPORATE PARK DRIVE  
MACEDONIA, OHIO 44056  
216-367-7000 • FAX: 216-367-7022  
TOLL FREE: 800-321-0562

6385 MONTESSOURI STREET  
LAS VEGAS, NEVADA 89113  
702-433-6385 • FAX: 702-433-6388  
TOLL FREE: 800-258-8877

www.ppe.com  
e-mail: sales@ppe.com

Toll Free: USA, Canada & Mexico  
**800-362-0706**

Order Fax: 800-223-8305