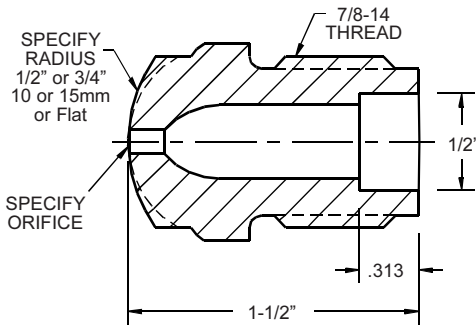




# MULTI-HOLE DISPERSION DISCS

## IMPROVES COLOR MIXING - FILTERS TRAMP METALS

### DISPERSION TIPS FIT ANY RT BODY



### COLOR DISPERSION RT TIP BORED FOR 1/2" DIA. DISC

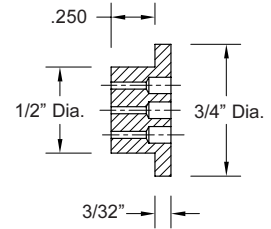
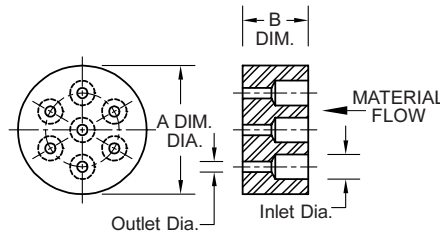
See RTGD Tips



**ISO-9002**  
MANUFACTURED IN A  
QUALITY SYSTEM CERTIFIED  
FACILITY.

### MD MULTI-HOLE DISPERSION DISCS

(MD = MULTI-HOLE DISC)



### STANDARD MD DISCS

PPE Model BMD Discs are a low cost but effective color dispersion device. Their multi-hole design requires little increased pressure and filters foreign matter from molding materials.

### ANTI SUCK-BACK TYPE DISC

Anti Suck-Back Disc has a larger dia. flange which pinches between nozzle seats.



BMD37

BMD36

BMD58

BMD45

BMD45F

| STOCK DISPERSION DISC SELECTION CHART              | A Disc Dia.               | B Disc Width | Number of Holes | Inlet Holes Dia. | Outlet Holes Dia. | Flow Area In <sup>2</sup> | Equip Orifice Size | PART NO.      | PRICE   |
|--|---------------------------|--------------|-----------------|------------------|-------------------|---------------------------|--------------------|---------------|---------|
| <b>STANDARD MD TYPE</b><br><br><b>FLAT DISC</b>    | 1/2"                      | .250         | 17              | .025             | .025              | .0083                     | .105               | <b>BMD25</b>  | \$20.00 |
|  |                           | .250         | 7               | .045             | .045              | .0111                     | .119               | <b>BMD45</b>  | \$16.00 |
|  |                           | .250         | 7               | .094             | .040              | .0088                     | .105               | <b>BMD12</b>  | \$16.00 |
|  |                           | .250         | 7               | .094             | .094              | .0490                     | .249               | <b>BMD94</b>  | \$16.00 |
|  | 9/16"                     | .250         | 17              | .025             | .025              | .0088                     | .105               | <b>BMD96</b>  | \$18.00 |
|  |                           | .250         | 17              | .050             | .050              | .0333                     | .205               | <b>BMD97</b>  | \$18.00 |
| <b>ANTI SUCK-BACK TYPE</b><br><br><b>FLAT DISC</b> | 1/2" plus 3/4" Dia Flange | .340         | 17              | .025             | .025              | .0088                     | .105               | <b>BMD25F</b> | \$32.00 |
|  |                           | .340         | 7               | .045             | .045              | .0111                     | .119               | <b>BMD45F</b> | \$22.00 |
|  |                           | .340         | 7               | .094             | .040              | .0088                     | .105               | <b>BMD12F</b> | \$22.00 |
|  |                           | .340         | 7               | .094             | .094              | .0490                     | .249               | <b>BMD94F</b> | \$22.00 |
| <b>STANDARD MD TYPE</b><br><br><b>FLAT DISC</b>    | 5/8"                      | .250         | 9               | .125             | .045              | .0143                     | .135               | <b>BMD99</b>  | \$17.00 |
|  |                           | .312         | 9               | .040             | .040              | .0113                     | .120               | <b>BMD59</b>  | \$17.00 |
|  |                           | .312         | 9               | .094             | .040              | .0113                     | .120               | <b>BMD58</b>  | \$17.00 |
|  | 3/4" Narrow               | .125         | 12              | .045             | .045              | .0191                     | .156               | <b>BMD37</b>  | \$17.00 |
|  |                           | .187         | 12              | .045             | .045              | .0191                     | .156               | <b>BMD38</b>  | \$17.00 |
|  |                           | .187         | 12              | .109             | .045              | .0191                     | .156               | <b>BMD39</b>  | \$17.00 |
|  | .187                      | 12           | .109            | .063             | .0374             | .218                      | <b>BMD40</b>       | \$17.00       |         |
| 3/4"   | .375                      | 15           | .045            | .045             | .0238             | .174                      | <b>BMD35</b>       | \$17.00       |         |
|  | .375                      | 9            | .094            | .045             | .0143             | .135                      | <b>BMD36</b>       | \$17.00       |         |
|  | .375                      | 9            | .094            | .094             | .0625             | .282                      | <b>BMD98</b>       | \$17.00       |         |
|  | .375                      | 9            | .125            | .045             | .0143             | .135                      | <b>BMD34</b>       | \$17.00       |         |