



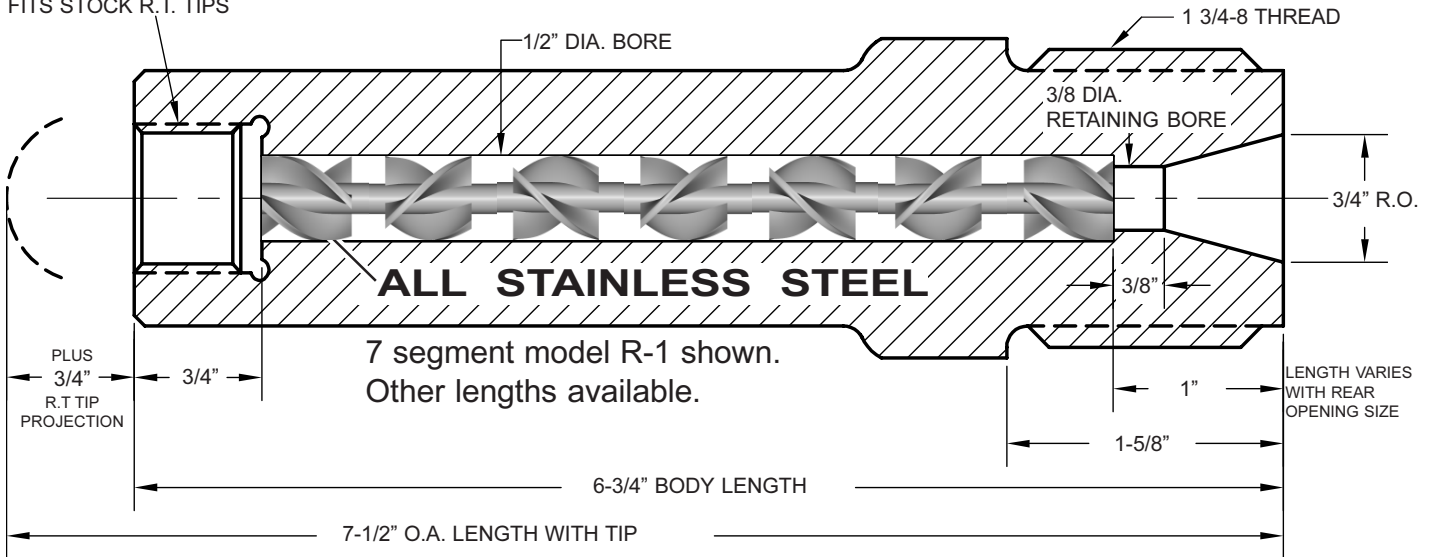
# COLOR MIXING NOZZLES

WITH HELIX MIXER SEGMENTS - RIGHT & LEFT HAND  
GOOD COLOR MIXING WITHOUT FLOW RESTRICTION

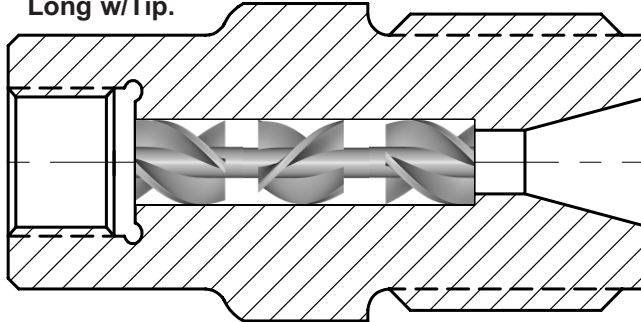
- ALL STAINLESS STEEL MIXER SEGMENTS FOR ABRASION AND CORROSION RESISTANCE.
- HEAT TREATED SEGMENTS 48-53 Rc.
- 3 HELIX TYPES: RIGHT, LEFT & RIGHT END.
- 3 FLIGHTS SPACED 120° X 1.5 PITCH.
- FITS STANDARD 1/2" BORE NOZZLES.

Helix mixer segment nozzles with a special anti-suckback 3/8" bore as illustrated are available in removable tip design. This allows you to insert the mixing sections from the front end and retain them in the rear with the 3/8" dia. bore. This avoids the possibility of suckback into the screw tip area.

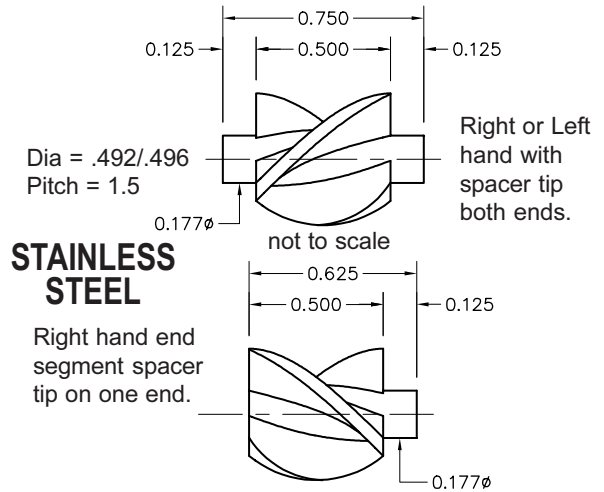
7/8-14 THREAD  
FITS STOCK R.T. TIPS



Illustrated: For a minimum of 3 Helix mixer segments: Model R-1 Nozzle 3/4" Rear Opening, 3-3/4" Body Length, 4-1/2" Long w/Tip.



For a 5 Helix mixer segment R-1 Nozzle 3/4" R.O., R.T. body length must be 5-1/4", or 6" length O.A. with R.T. tip in place.



| PART NO.   | DESCRIPTION   | PRICES   |
|------------|---|----------|
| R-1A634HMS | BODY ONLY 1 3/4-8 THD, 3/4 R.O. 6-3/4" LONG W/RETAINING BORE (less tip) | \$154.00 |
| R-1A334HMS | BODY ONLY 1 3/4-8 THD, 3/4 R.O. 3-3/4" LONG W/RETAINING BORE (less tip) | \$106.00 |
| MSR751     | RIGHT HAND HELIX SEGMENT STAINLESS STEEL                                | \$18.00  |
| MSL752     | LEFT HAND HELIX SEGMENT STAINLESS STEEL                                 | \$18.00  |
| MSE753     | END HELIX SEGMENT STAINLESS STEEL                                       | \$18.00  |

For Helix mixer retaining bore supplied in R.T. Bodies - specify HMS and add ..... \$51.00



**PLASTIC PROCESS EQUIPMENT, INC.**

8303 CORPORATE PARK DRIVE  
MACEDONIA, OHIO 44056  
216-367-7000 • FAX: 216-367-7022  
TOLL FREE: 800-321-0562

6385 MONTESSOURI STREET  
LAS VEGAS, NEVADA 89113  
702-433-6385 • FAX: 702-433-6388  
TOLL FREE: 800-258-8877

www.ppe.com  
e-mail: sales@ppe.com

Toll Free: USA, Canada & Mexico  
**800-362-0706**

Order Fax: 800-223-8305