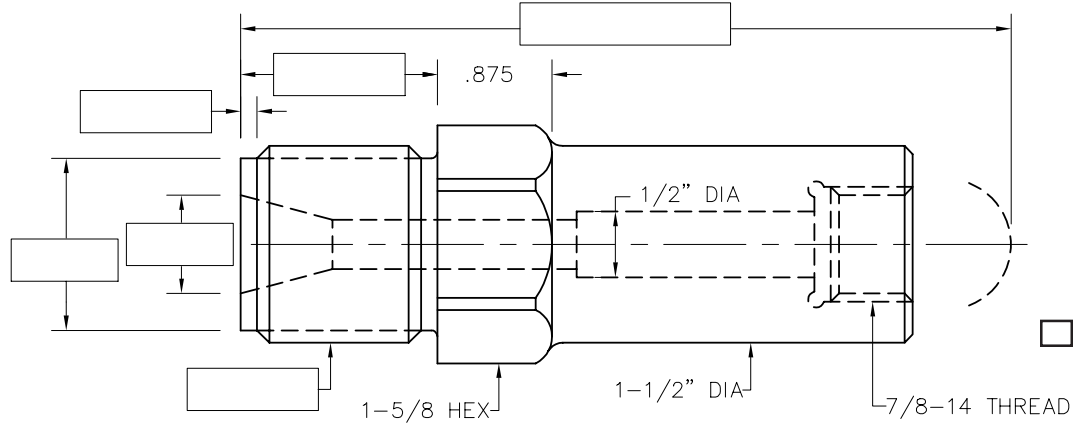


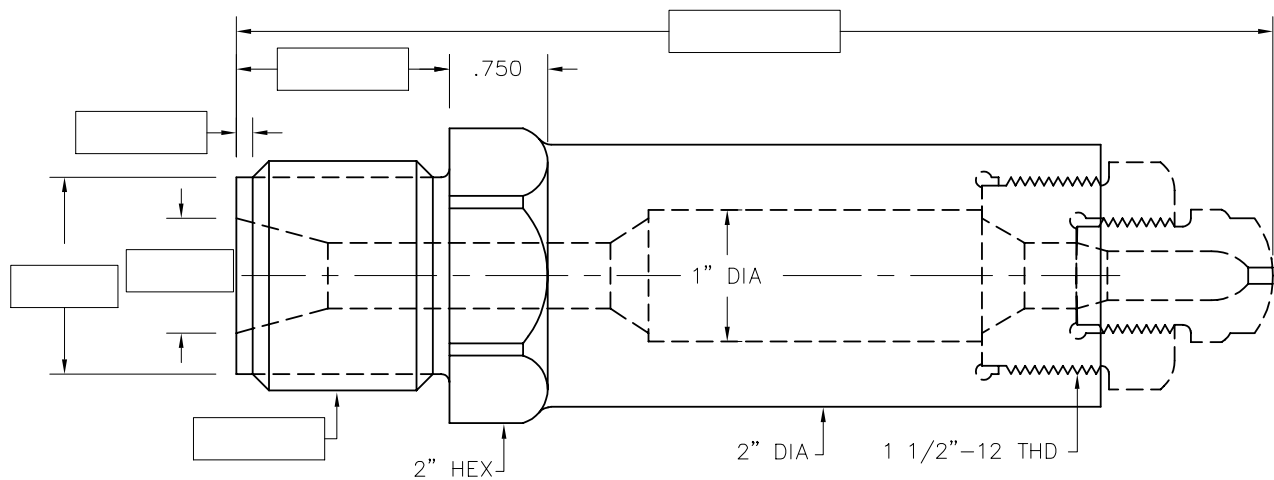


# LINEAR EDGE MELT FILTER BODY

## Order Form (FILL IN THE DIMENSIONS)

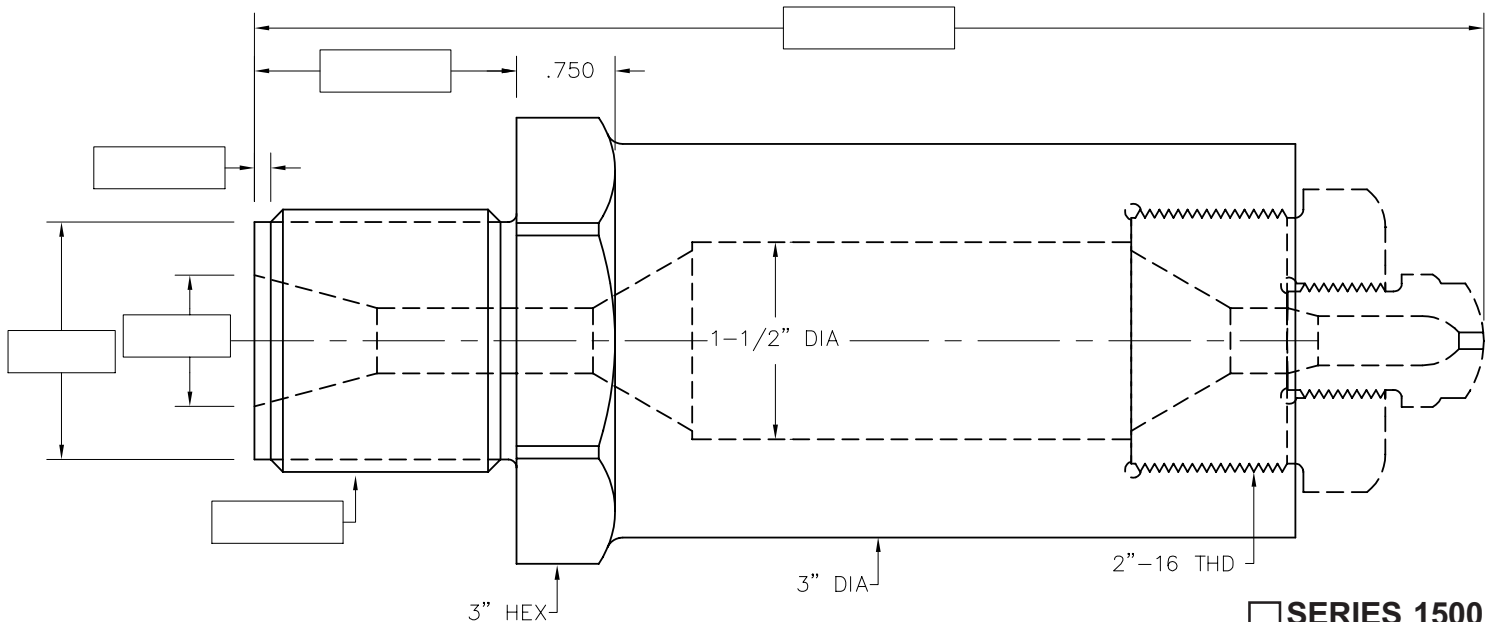


SERIES 500



SERIES 1000

© Copyright 2022 Plastic Process Equipment, Inc. Note: PPE customers may reproduce this form only in it's entirety.



SERIES 1500



### PLASTIC PROCESS EQUIPMENT, INC.

**EAST** 8303 CORPORATE PARK DRIVE  
 MACEDONIA, OHIO 44056  
 216-367-7000 • FAX: 216-367-7022  
 TOLL FREE: 800-321-0562

**WEST** 6385 MONTESSOURI STREET  
 LAS VEGAS, NEVADA 89113  
 702-433-6385 • FAX: 702-433-6388  
 TOLL FREE: 800-258-8877

[www.ppe.com](http://www.ppe.com)  
 e-mail: [sales@ppe.com](mailto:sales@ppe.com)

**Toll Free: USA, Canada & Mexico**  
**800-362-0706**

Order Fax: 800-223-8305