



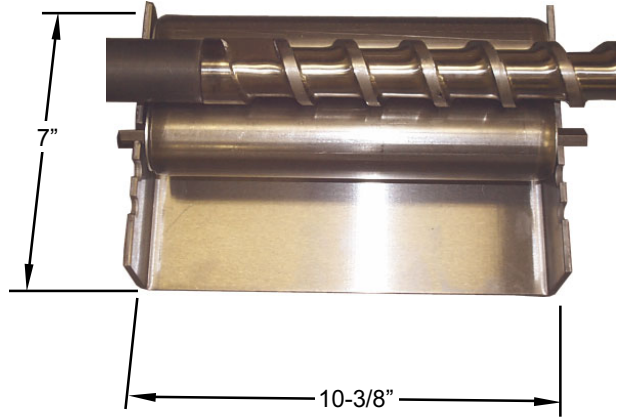
SCREW & BARREL INSPECTION ROLLERS

FOR FAST EASY INSPECTION OR CLEANING



Rotate the screw with one finger.

- HOLDS 1" TO 8" DIA.
- ALL STAINLESS STEEL BASE
- BALL BEARING ROLLERS (PERMANENTLY LUBRICATED)
- SOLID U SHAPED BASE WITH MOUNTING HOLES.
- 3 ADJUSTMENT SLOTS FIT VARIOUS DIAMETERS.



Kit contains:
1 - Base
2 - Rollers

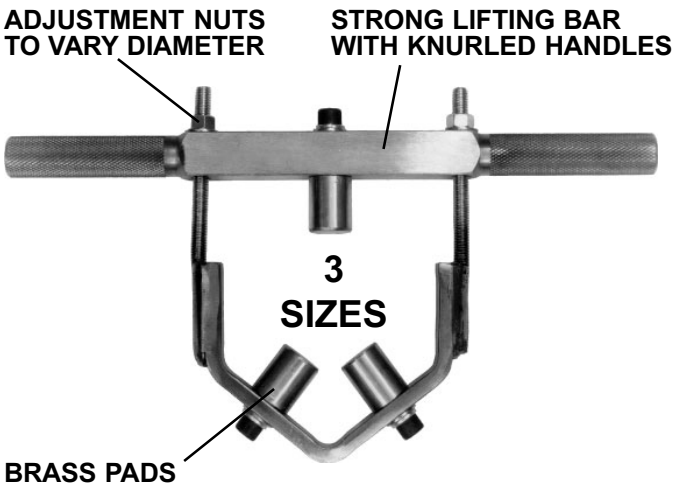
PART NO.	DESCRIPTION	PRICE EACH
SHR4	Inspection Roller Kit (complete)	\$85.00
SHR4B	Stainless Steel Base	\$50.00
SHR4R	Ball Bearing Roller	\$25.00



SCREW HANDLER TOOL

FOR INSTALLING, REMOVING OR CARRYING SCREWS

**A SAFE, SIMPLE,
BUT EFFECTIVE WAY
TO TRANSPORT SCREWS**



BRASS PADS CAN BE MODIFIED OR CHANGED TO SUIT YOUR APPLICATION



PART NO.	SCREW DIAMETER SIZE RANGE	PRICE EACH
SHT-1	5/8" TO 1 3/4" 15mm - 45mm	\$103.00 ea.
SHT-2	1 9/16" TO 3 1/8" 40mm - 80mm	108.00 ea.
SHT-3	3" TO 7" 75mm - 177mm	147.00 ea.



PLASTIC PROCESS EQUIPMENT, INC.

www.ppe.com • e-mail: sales@ppe.com

PPE WEST 6385 Montessouri Street, Las Vegas, Nevada 89113
702-433-6385 • 800-258-8877 • Fax: 702-433-6388

PPE SOUTH 11218 Challenger Avenue, Odessa, Florida 33556
727-834-8888 • 800-282-6783 • Fax: 727-834-8873

8303 CORPORATE PARK DRIVE, MACEDONIA (Cleveland), OHIO 44056, USA

216-367-7000 • Toll Free: 800-321-0562 • Fax: 216-367-7022 • Order Fax: 800-223-8305

Toll Free: USA, Canada & Mexico
800-362-0706