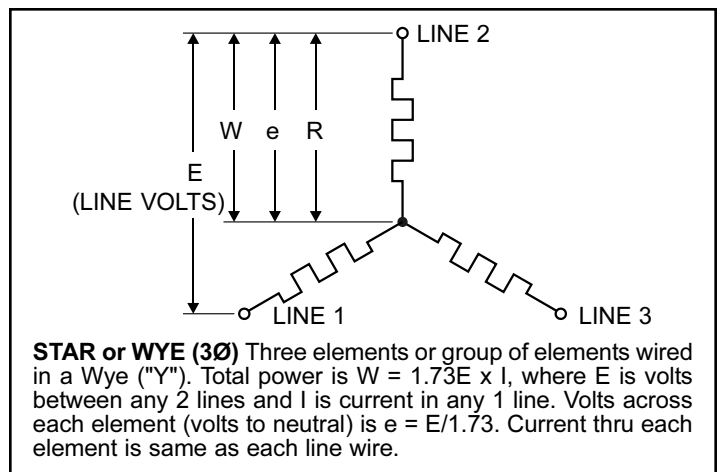
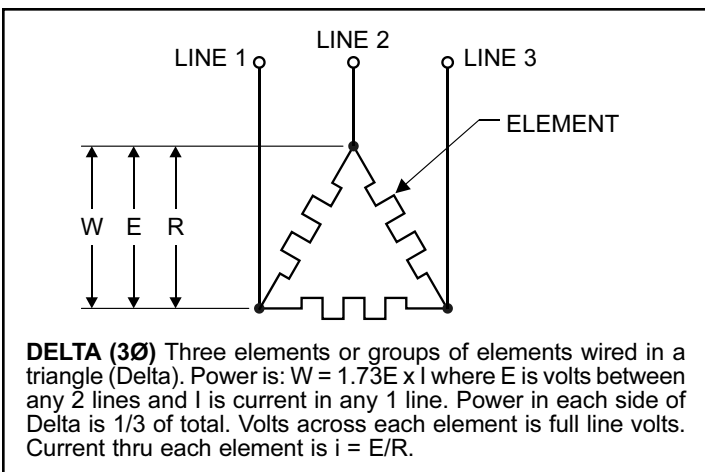
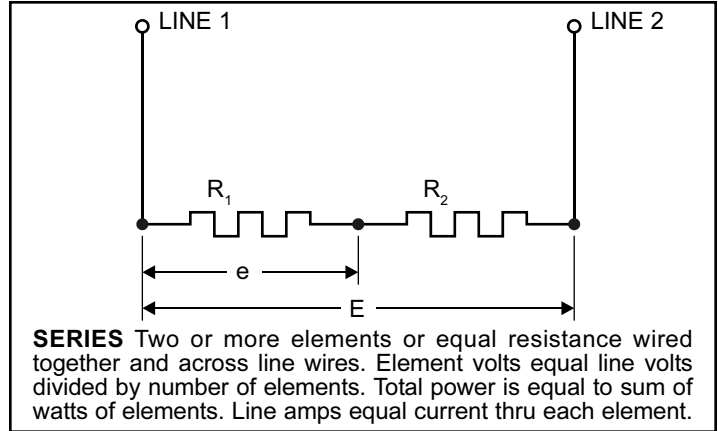
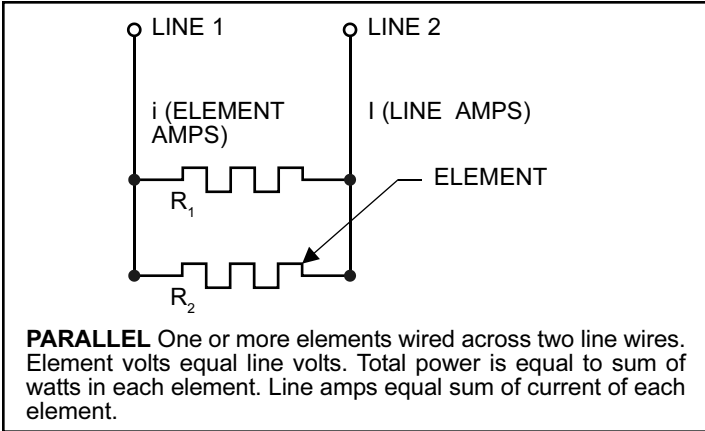




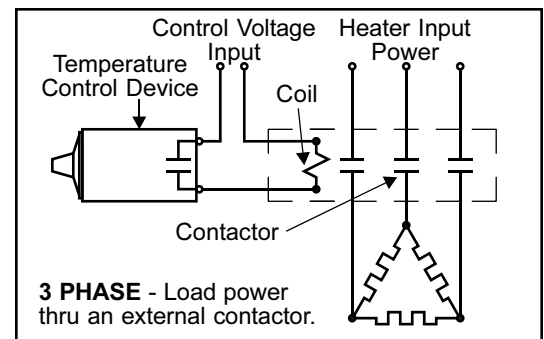
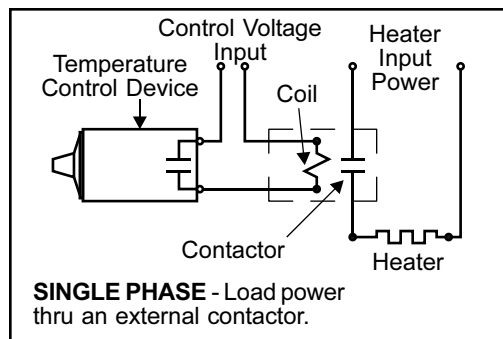
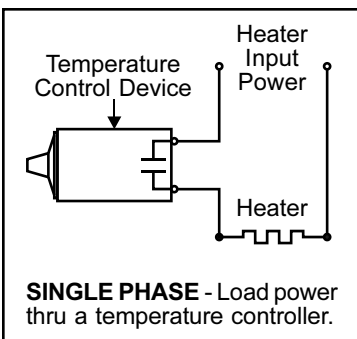
WIRING CONFIGURATIONS AND DIAGRAMS



These wiring configurations are provided to assist in the wiring of heating elements in parallel, series and 3-phase (Delta or Wye)



| WIRING CONFIGURATION | HEATER ELEMENT VALUES (formulas and symbols) | | | |
|----------------------|---|--|------------------------------------|-----------------------------|
| | VOLTS (e) | AMPS (i) | WATTS (W) | RESISTANCE (R) |
| Parallel | line volts (E) | $\frac{\text{line volts (E)}}{\text{element Ohms (Rn)}}$ | $E \times i$ | E/i |
| Series | $\frac{\text{line volts (E)}}{\text{\# of elements}}$ | line amps (I) | $e \times i$ | e/i |
| Delta | line volts (E) | $\frac{\text{line amps (I)}}{1.73}$ | $e \times i$ | E/i and $E/1.73 I$ |
| Star (Wye) | $E/1.73$ | line amps (I) | $e \times i$ and $E \times I/1.73$ | $e \times i$ and $E/1.73 I$ |



PLASTIC PROCESS EQUIPMENT, INC.

www.ppe.com • e-mail: sales@ppe.com

6385 Montessouri Street, Las Vegas, Nevada 89113
PPE WEST 702-433-6385 • 800-258-8877 • Fax: 702-433-6388

11218 Challenger Avenue, Odessa, Florida 33556
PPE SOUTH 727-834-8888 • 800-282-6783 • Fax: 727-834-8873

8303 CORPORATE PARK DRIVE, MACEDONIA (Cleveland), OHIO 44056, USA

Toll Free: USA, Canada & Mexico
800-362-0706

PPE 216-367-7000 • Toll Free: 800-321-0562 • Fax: 216-367-7022 • Order Fax: 800-223-8305