



MINERAL INSULATED (MI) SUPER-HOT HEATER BANDS

HOTTER BANDS - LONGER LIFE

**STOP
BURNING
OUT
HEATER
BANDS**

You will improve your productivity with longer-lived mineral-insulated nozzle heaters.

MI BAND HEATER

**CAPABLE OF
1,400°F**

Rugged Construction

Stainless steel cover, hardened stainless steel clamp bars, aluminum-oxide insulation, protected leads. Withstands the tough life of shock, vibration, and plastic drool that cause failure in common heaters.

High Temperatures

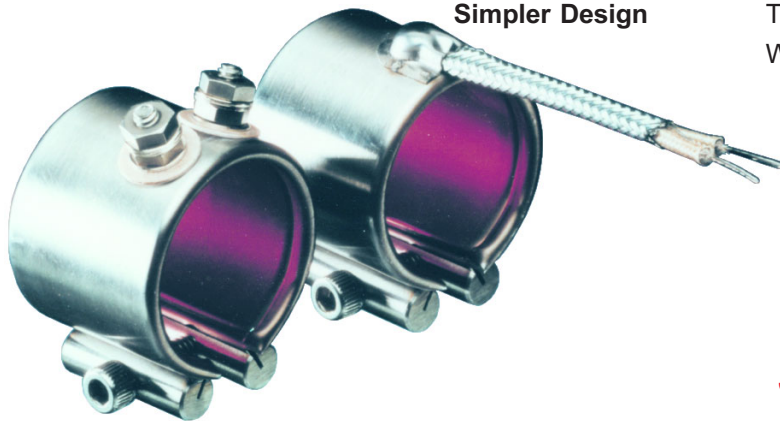
Melt temperatures required by many of the newer engineering resins are routine for the MI nozzle heaters. They are capable of operating to 1,400°F!

High Wattages

Throughput is key to your productivity. The demand for higher wattages required has been met. A 1-1/2" diameter by 1-1/2" wide MI nozzle heater can deliver up to 450 watts versus 300 watts for a mica band.

Simpler Design

The mineral insulation is efficient without bulk or mass. Wattage: Recommended, 50-60 Watts per sq. in.



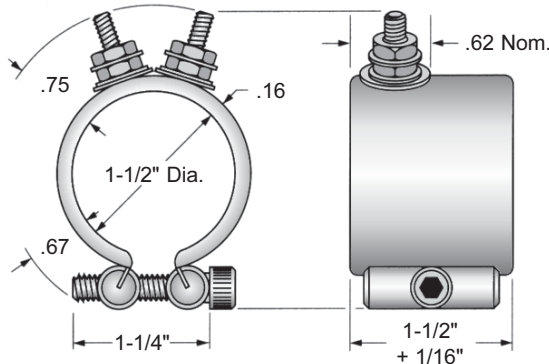
**THE MI HEATER BAND SHOWED A
LARGE % OF ENERGY SAVINGS OVER
THE USE OF MICA HEATER BANDS.
PLUS THEY LAST LONGER TO SAVE
ON REPLACEMENT COSTS.**

SPEND NOW, SAVE LATER

TERMINATION TYPE

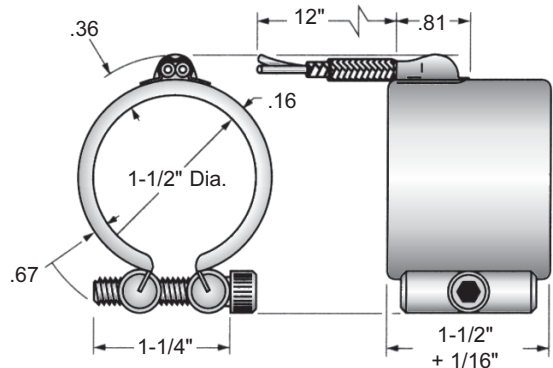
Post

Strong, welded, trouble-free connections to internal windings. Screw thread size is 10-24. Ceramic terminal covers available for convenient safety insulation.



Flexible Type B Stainless Steel Overbraid

Two Fiberglass-insulated lead wires exit in a single metal braid for good abrasion protection, lead flexibility, and wiring convenience. Standard length is 12".



PLASTIC PROCESS EQUIPMENT, INC.

www.ppe.com • e-mail: sales@ppe.com

PPE WEST 6385 Montessori Street, Las Vegas, Nevada 89113
702-433-6385 • 800-258-8877 • Fax: 702-433-6388

PPE SOUTH 11218 Challenger Avenue, Odessa, Florida 33556
727-834-8888 • 800-282-6783 • Fax: 727-834-8873

8303 CORPORATE PARK DRIVE, MACEDONIA (Cleveland), OHIO 44056, USA

Toll Free: USA, Canada & Mexico
800-362-0706

216-367-7000 • Toll Free: 800-321-0562 • Fax: 216-367-7022 • Order Fax: 800-223-8305