



# PIN-FREE BALL CHECK SCREW TIPS

## O.E.M. SIZE SPECIFICATIONS DUPLICATED

### FEATURES:

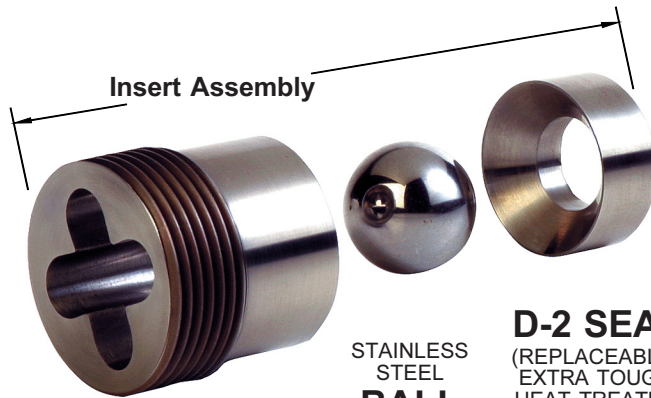
- Easy Flow Replaceable Pin-Free Inserts
- Ball Guides for Quick 360° Shut-off
- Replaceable Seat (Extra Tough D-2)
- Multiple Feed Ports Reduces Frictional Heat
- Heat Treated for Extra Wear Resistance

PPE Pin-Free Ball Checks were engineered, developed and tested by customers for several years prior to our offering them for sale. Our design features an easy-flow, pin free, tool steel insert, easy to replace tool steel ball seat, and a properly designed body to be wear resistant but not brittle. Our four feed holes, properly engineered internal flow passages and insert packages are calculated to permit maximum possible melt flow.



## STYLE 6

### PIN-FREE INSERT SIZED TO SUIT THE TIP!



**H-13**

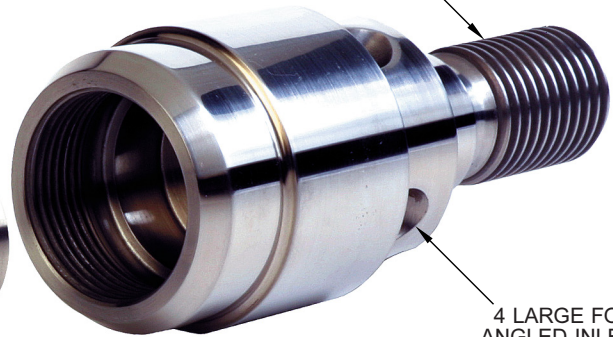
### **PIN-FREE INSERT**

IS BALL GUIDE, BALL STOP BOTH WAYS AND SEAT RETAINER

STAINLESS  
STEEL  
**BALL**  
SIZED TO  
MATERIAL  
OUTPUT

**D-2 SEAT**  
(REPLACEABLE)  
EXTRA TOUGH  
HEAT TREATED  
WEAR RESISTANT

SHANK THREAD  
TO MATCH  
YOUR SCREW

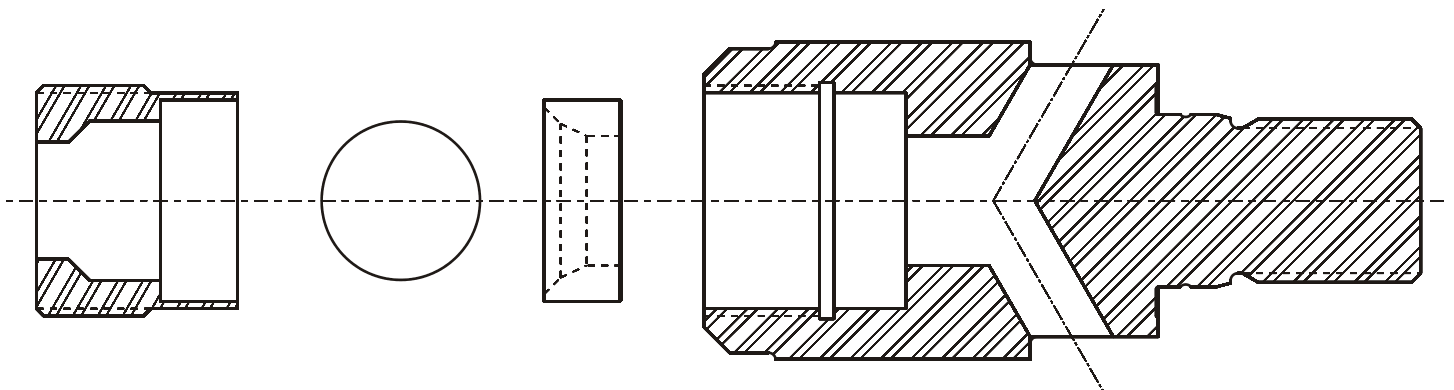


**H-13 BODY**

4 LARGE FORWARD  
ANGLED INLET HOLES  
SIZED TO EXCEED  
YOUR OUTPUT

### **IDEAL FOR USE ON POLYETHYLENE AND POLYPROPYLENE MATERIALS**

FOR GLASS AND MINERAL FILLED MATERIALS USE OUR FREE FLOW  
CHECK RING VALVES AS SUGGESTED BY YOUR MATERIAL SUPPLIERS.



## PLASTIC PROCESS EQUIPMENT, INC.

www.ppe.com • e-mail: sales@ppe.com

**PPE WEST** 6385 Montessouri Street, Las Vegas, Nevada 89113  
702-433-6385 • 800-258-8877 • Fax: 702-433-6388

**PPE SOUTH** 11218 Challenger Avenue, Odessa, Florida 33556  
727-834-8888 • 800-282-6783 • Fax: 727-834-8873

8303 CORPORATE PARK DRIVE, MACEDONIA (Cleveland), OHIO 44056, USA

216-367-7000 • Toll Free: 800-321-0562 • Fax: 216-367-7022 • Order Fax: 800-223-8305

Toll Free: USA, Canada & Mexico  
**800-362-0706**