



PREMIUM CARTRIDGE HEATERS

OEM REPLACEMENT HI-DENSITY DIE HEATER

LONGEST LASTING - MOISTURE PROOF!

FEATURES

- Hi-Density Swaged Construction
- Moisture Proof, RTV/Cement Potted
- 36" Mica Insulated Lead Wires
- 3 Lead Options
- 1" and 1/2" Diameter Heater Sheath
- 16 Gauge Stainless Steel Mounting Flange
- Designed for 240VAC

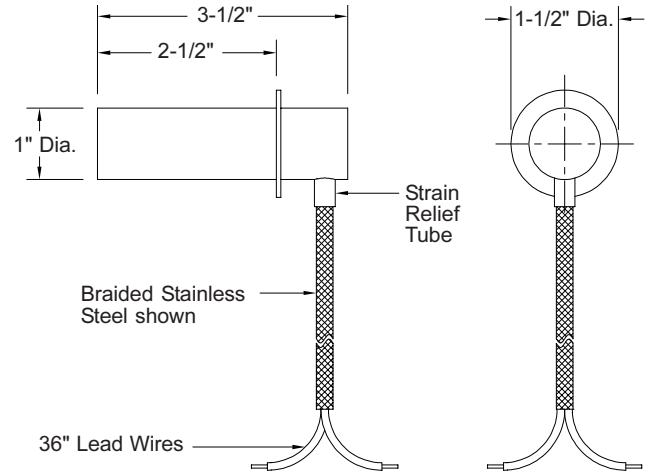


**BUY FROM A
CERTIFIED
SOURCE!**

Shown:
#P8035-20600A
240V, 600W

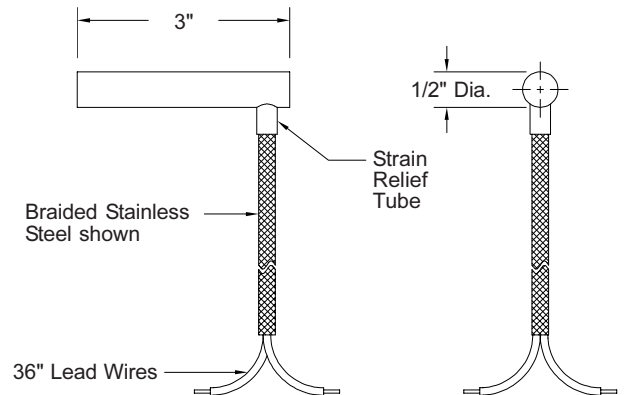
1" Diameter with Mounting Flange
Braided Stainless Steel Leads

1" DIAMETER HEATER SHEATH WITH MOUNTING FLANGE

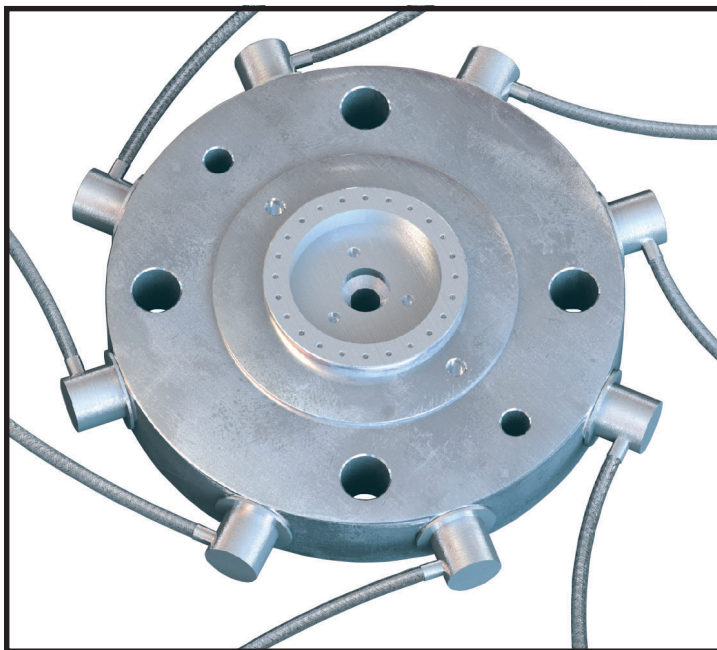


PART NO.	VOLTS	WATTS	LEAD TYPE	PRICE
P8035-20600D	240	600	Flex Leads	\$64.75
P8035-20600A	240	600	Braided Stainless Steel	\$69.95
P8035-20600E	240	600	Armored Flex Hose	\$67.50

1/2" DIAMETER HEATER SHEATH



PART NO.	VOLTS	WATTS	LEAD TYPE	PRICE
P4030-20300D	240	300	Flex Leads	\$34.25
P4030-20300A	240	300	Braided Stainless Steel	\$43.75
P4030-20300E	240	300	Armored Flex Hose	\$45.55



Eight (8) #P8035-20600A shown used in a blow mold rotor.

ISO 14001

MANUFACTURED IN AN
ENVIRONMENTAL MANAGEMENT
SYSTEM CERTIFIED FACILITY.



PLASTIC PROCESS EQUIPMENT, INC.

8303 CORPORATE PARK DRIVE
MACEDONIA, OHIO 44056
216-367-7000 • FAX: 216-367-7022
TOLL FREE: 800-321-0562

6385 MONTESSOURI STREET
LAS VEGAS, NEVADA 89113
702-433-6385 • FAX: 702-433-6388
TOLL FREE: 800-258-8877

www.ppe.com

e-mail: sales@ppe.com

Toll Free: USA, Canada & Mexico

800-362-0706

Order Fax: 800-223-8305