



# HIGH EFFICIENCY HEAT SINKS

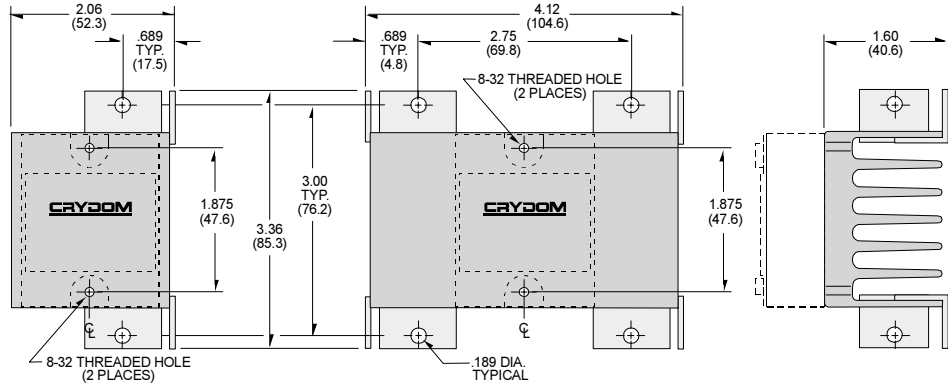


FOR ALL STANDARD SERIES 1 SIZE SOLID STATE RELAYS

MATERIAL: ALUMINUM • FINISH: CHROMATE GOLD

**ISO-9001**  
MANUFACTURED IN A  
QUALITY SYSTEM CERTIFIED  
FACILITY.

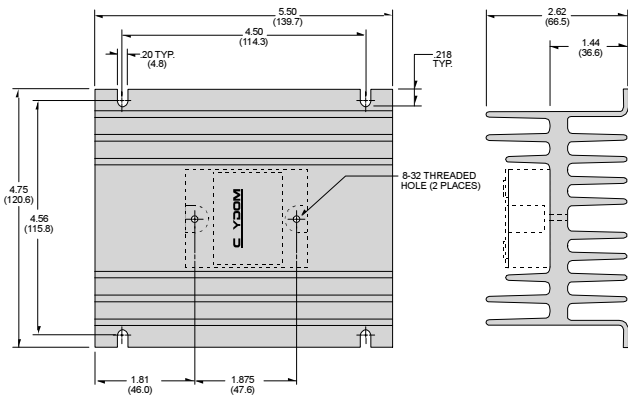
NOTE: ALWAYS USE HEAT  
SINK COMPOUND BETWEEN  
RELAY AND HEAT SINK FOR  
PROPER HEAT DISSIPATION.



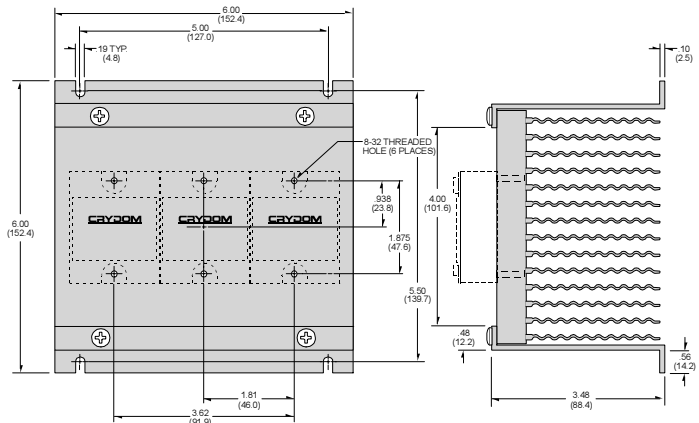
**10 AMP HEAT SINK**  
PART# HS-1 .....\$18.75

**25 AMP HEAT SINK**  
PART# HS-2 ..... \$23.75

**END VIEW**  
**BOTH**



**55 AMP HEAT SINK**  
PART# HE-54 ..... \$38.95



**90 AMP HEAT SINK**  
PART# HE-90 ..... \$96.90

## SILICONE HEAT SINK COMPOUND

Apply a thin layer (more is not better) of Heat Sink Compound between the metal back plate on your solid state device and the heat sink for maximum heat dissipation.



**PART #DC-340**  
4oz. TUBE ..... 1-3 4+  
\$13.25 \$12.75

### PLEASE READ: IMPORTANT NOTES ON PANEL MOUNTING OF SOLID-STATE RELAYS.

To avoid overheating and possible damage to the relay's circuitry, care must be taken to provide adequate heat dissipation. NEVER OPERATE A SOLID-STATE POWER RELAY IN FREE AIR OR WITHOUT A PROPER HEAT SINK.

Make sure that the mounting surface is clean, and free of paint or oxidation. If mounting to a metal surface, apply a very thin layer of Heat Sink Compound onto the relay's metal mounting plate. Take care to use proper torque when tightening the mounting screws.

Under normal operating conditions, the relay's case temperature should not exceed 113°F (45°C). Additional heat sinking or a cooling fan must be provided if the relay's operating temperature exceeds its optimum rating under load. Where there is any question about the relay's ability to maintain a normal operating temperature, a higher current relay should be specified.



## PLASTIC PROCESS EQUIPMENT, INC.

www.ppe.com • e-mail: sales@ppe.com

**PPE WEST** 6385 Montessouri Street, Las Vegas, Nevada 89113  
702-433-6385 • 800-258-8877 • Fax: 702-433-6388

**PPE SOUTH** 11218 Challenger Avenue, Odessa, Florida 33556  
727-834-8888 • 800-282-6783 • Fax: 727-834-8873

8303 CORPORATE PARK DRIVE, MACEDONIA (Cleveland), OHIO 44056, USA  
216-367-7000 • Toll Free: 800-321-0562 • Fax: 216-367-7022 • Order Fax: 800-223-8305

Toll Free: USA, Canada & Mexico  
**800-362-0706**