



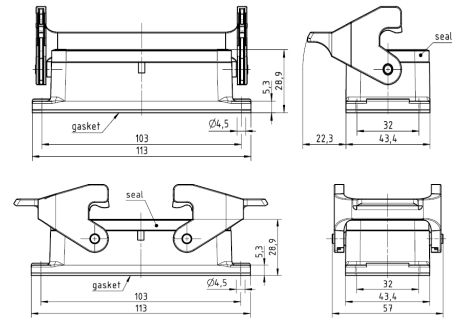
Han® INDUSTRIAL CONNECTORS



Han® 16 B Series Housings & Cover

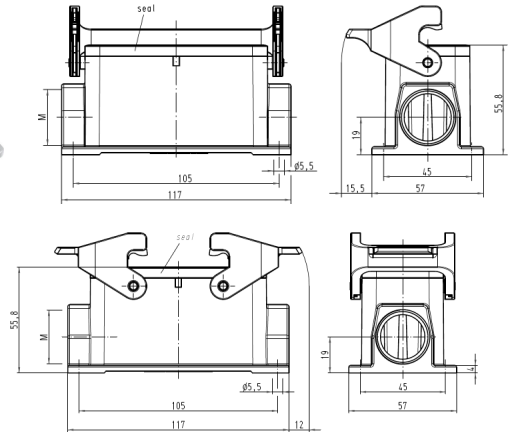
Metal Housings - Panel Mount

| Part No. | Description | Price |
|--------------|----------------------------------|---------|
| 0930-0160307 | 1 Lever | \$26.25 |
| 0930-0160306 | 1 Lever w/ Plastic Cover | \$37.25 |
| 0930-0160318 | 1 Lever w/ Metal Cover | \$53.40 |
| 0930-0160301 | 2 Lever | \$24.35 |
| 0962-8160301 | 2 Lever w/ Higher EMC Protection | \$32.25 |



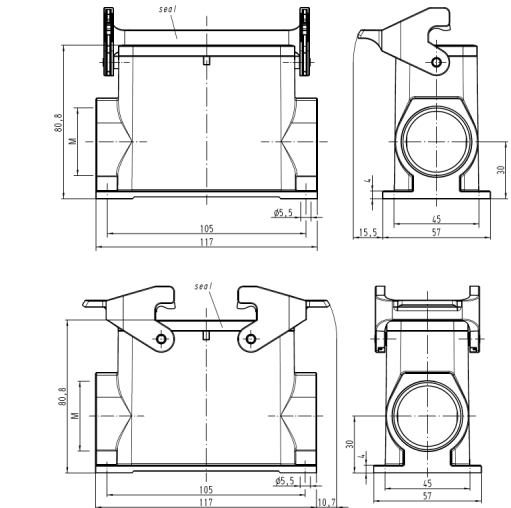
Metal Housings* - Surface Mount - Low Construction

| Part No. | Description | Thread (M) | Price |
|--------------|-------------------------|------------|---------|
| 0930-0161250 | 1 Lever | 1 x PG-21 | \$42.40 |
| 0930-0161255 | 1 Lever w/Plastic Cover | 1 x PG-21 | \$47.50 |
| 0930-0161290 | 1 Lever | 2 x PG-21 | \$44.95 |
| 0930-0161295 | 1 Lever w/Plastic Cover | 2 x PG-21 | \$49.95 |
| 1930-0161251 | 1 Lever | 1 x M25 | \$29.30 |
| 1930-0161256 | 1 Lever w/Plastic Cover | 1 x M25 | \$36.75 |
| 1930-0161291 | 1 Lever | 2 x M25 | \$30.55 |
| 1930-0161296 | 1 Lever w/Plastic Cover | 2 x M25 | \$34.75 |
| 0930-0161230 | 2 Lever | 1 x PG-21 | \$36.90 |
| 0930-0161270 | 2 Lever | 2 x PG-21 | \$38.50 |
| 1930-0161231 | 2 Lever | 1 x M25 | \$28.25 |
| 1930-0161271 | 2 Lever | 2 x M25 | \$30.90 |



Metal Housings* - Surface Mount - High Construction

| Part No. | Description | Thread (M) | Price |
|--------------|-------------------------|------------|---------|
| 0930-0160250 | 1 Lever | 1 x PG-21 | \$69.75 |
| 0930-0160255 | 1 Lever w/Plastic Cover | 1 x PG-21 | \$79.95 |
| 0930-0160290 | 1 Lever | 2 x PG-21 | \$69.40 |
| 0930-0160295 | 1 Lever w/Plastic Cover | 2 x PG-21 | \$78.75 |
| 0930-0160251 | 1 Lever | 1 x PG-29 | \$69.85 |
| 0930-0160256 | 1 Lever w/Plastic Cover | 1 x PG-29 | \$79.95 |
| 0930-0160291 | 1 Lever | 2 x PG-29 | \$65.25 |
| 0930-0160296 | 1 Lever w/Plastic Cover | 2 x PG-29 | \$78.75 |
| 1930-0160291 | 1 Lever | 2 x M25 | \$61.80 |
| 1930-0160252 | 1 Lever | 1 x M32 | \$61.55 |
| 1930-0160292 | 1 Lever | 2 x M32 | \$64.75 |
| 1930-0160297 | 1 Lever w/Plastic Cover | 2 x M32 | \$70.35 |
| 0930-0160230 | 2 Lever | 1 x PG-21 | \$47.50 |
| 0930-0160270 | 2 Lever | 2 x PG-21 | \$48.50 |
| 0930-0160231 | 2 Lever | 1 x PG-29 | \$47.75 |
| 0930-0160271 | 2 Lever | 2 x PG-29 | \$49.25 |
| 1930-0160271 | 2 Lever | 2 x M25 | \$39.75 |
| 1930-0160232 | 2 Lever | 1 x M32 | \$42.35 |
| 1930-0160272 | 2 Lever | 2 x M32 | \$43.25 |

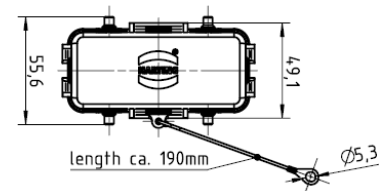


- Single Lever Replacement Lever
Part No. 0900-0005229 \$8.45 ea.
- Double Lever Replacement Lever
Part No. 0900-0005221 \$7.95 ea.
- Replacement Gasket (Buna-N)
Part No. 0930-0009803 \$2.25 ea.

*Order Strain Relief Gland separately (listed beyond).

Metal Protective Cover for Housings

| Part No. | Description | Price |
|--------------|---|---------|
| 0930-0165425 | For Housings w/ 2 Levers (with Lanyard) | \$25.40 |



PLASTIC PROCESS EQUIPMENT, INC.

6385 Montessouri Street, Las Vegas, Nevada 89113
702-433-6385 • 800-258-8877 • Fax: 702-433-6388

11218 Challenger Avenue, Odessa, Florida 33556
727-834-8888 • 800-282-6783 • Fax: 727-834-8873

8303 CORPORATE PARK DRIVE, MACEDONIA (Cleveland), OHIO 44056, USA

Toll Free: USA, Canada & Mexico

216-367-7000 • Toll Free: 800-321-0562 • Fax: 216-367-7022 • Order Fax: 800-223-8305

800-362-0706