



# WATLOW DIN-A-MITE® POWER CONTROLS

## SCR POWER CONTROLS



### FEATURES AND BENEFITS

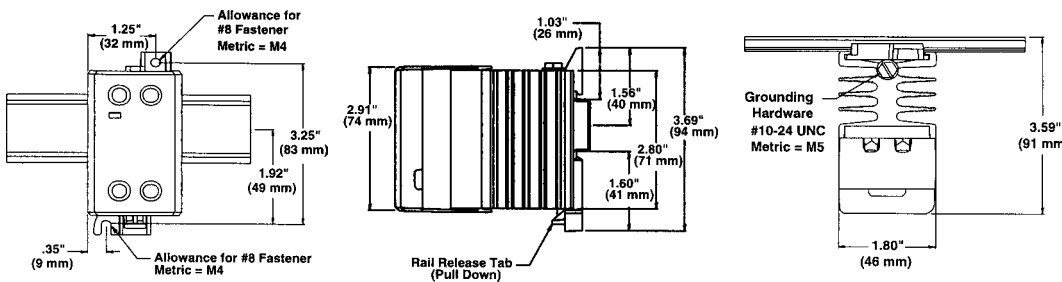
- DIN rail or surface mountable.
- Compact design with integrated heat sink.
- Variable time base provides the tightest temperature control possible.
- Works with 4-20mA output temperature controls.
- Extends heater life.
- Allows use of higher than normal watt densities.

### GENERAL DESCRIPTION

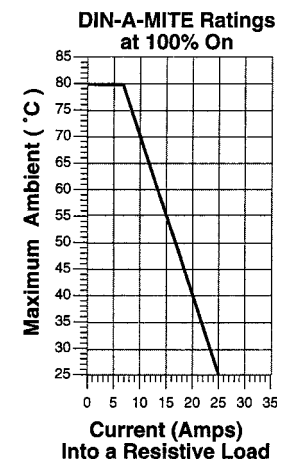
When used in conjunction with a 4-20mA output temperature controller, SCR Power Controllers provide the tightest temperature control available. By controlling each cycle (60 per second), an SCR Power Controller can vary the effective power to a heater, providing a dimmer switch effect (called cycle proportioning). This places less thermal stress on heaters than traditional temperature controls, which are either full on or full off. In addition to increasing heater life, this also reduces or eliminates over/undershooting.

### STYLE A - Single Phase, 18A

PART NO.	CAPACITY	OUTPUT VOLTAGE	PHASE	PRICE
DA10-24F0-0000	18A	120-240VAC	1Ø	\$135.15
DA10-60F0-0000	18A	277-600VAC	1Ø	\$140.66

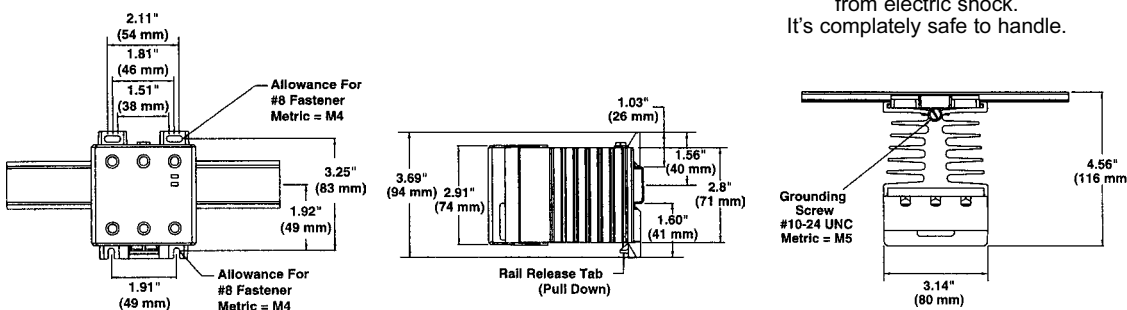


### Style A



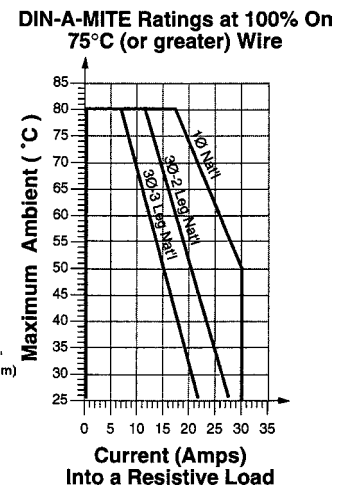
### STYLE B - Single and Three Phase, up to 35A

PART NO.	CAPACITY	OUTPUT VOLTAGE	PHASE	PRICE
DB10-24F0-0000	35A	120-240VAC	1Ø	\$177.44
DB10-60F0-0000	35A	277-600VAC	1Ø	\$182.95
DB20-24F0-0000	25A	120-240VAC	3Ø-2LEG	\$206.85
DB20-60F0-0000	25A	277-600VAC	3Ø-2LEG	\$217.88
DB30-24F0-0000	17A	120-240VAC	3Ø-3LEG	\$250.00
DB30-60F0-0000	17A	277-600VAC	3Ø-3LEG	\$266.61



**SAFE TO HANDLE**  
The DIN-A-MITE's touch-safe exterior protects hands from electric shock. It's completely safe to handle.

### Style B



**SBL Burst Firing Card** - Connect the SBL Burst Firing Card to any industry standard, DC input solid state relay and a 4-20mA output temperature controller for a low-cost SCR solution. Part Number SBL ..... \$124.00



## PLASTIC PROCESS EQUIPMENT, INC.

6385 Montessouri Street, Las Vegas, Nevada 89113  
702-433-6385 • 800-258-8877 • Fax: 702-433-6388

11218 Challenger Avenue, Odessa, Florida 33556  
727-834-8888 • 800-282-6783 • Fax: 727-834-8873

8303 CORPORATE PARK DRIVE, MACEDONIA (Cleveland), OHIO 44056, USA

216-367-7000 • Toll Free: 800-321-0562 • Fax: 216-367-7022 • Order Fax: 800-223-8305

www.ppe.com • e-mail: sales@ppe.com

Toll Free: USA, Canada & Mexico  
**800-362-0706**