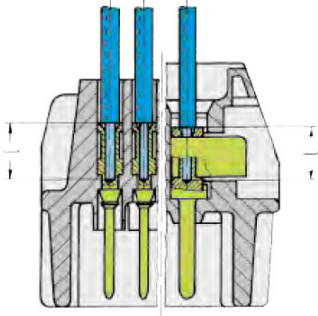




TERMINATIONS DESCRIPTION

CRIMP CONNECTION

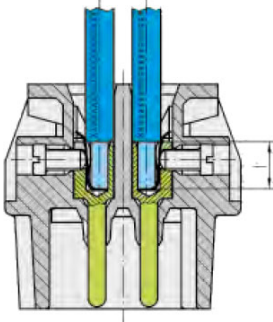


The economic and technical advantages are:

- Constant contact resistance as a result of precisely repeated crimp connection quality.
- Corrosion free connections as a result of cold weld action.
- Pre-preparation of cable forms with crimp contacts fitted.
- Optimum cost cable connection.

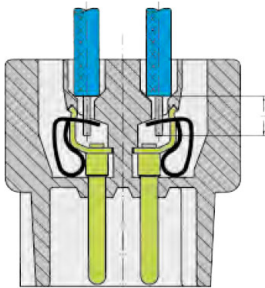
Wire Gauge		Internal Diameter Ø (mm)	Stripping Length (mm)			
AWG	mm ²		Han® DD Han® D		Han® E	
			Inch	mm	Inch	mm
26 - 22	0.14 - 0.37	0.9	0.31	8		--
20	0.5	1.15	0.31	8	0.29	7.5
18	0.75	1.3	0.31	8	0.29	7.5
18	1	1.45	0.31	8	0.29	7.5
16	1.5	1.75	0.31	8	0.29	7.5
14	2.5	2.25	0.23	6	0.29	7.5
12	4	2.85	--	--	0.29	7.5

SCREW TERMINAL



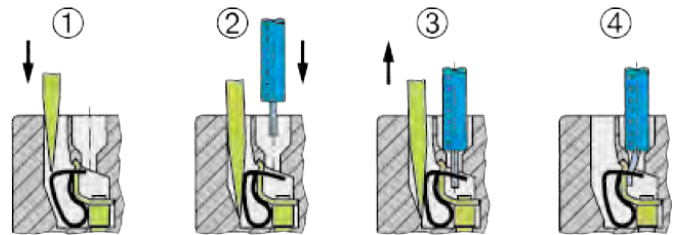
Inserts	Min. Wire Gauge		Max. Wire Gauge		Stripping Length		Tightening Torque (lbft)
	AWG	mm ²	AWG	mm ²	Inch	mm	
Han® 3 A, 4 A	18	0.75	16	1.5	0.17	4.5	0.2
Han® 10 A, 16 A, 32 A	18	0.75	14	2.5	0.29	7.5	0.4
Han® E, Hv E	18	0.75	14	2.5	0.29	7.5	0.4
Han® HsB	16	1.5	10	6	0.45	11.5	0.4

CAGE-CLAMP TERMINAL



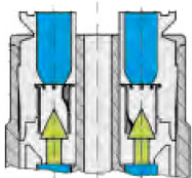
- Works with standard or solid wires from 14-26 AWG.
- No special tool required.
- Vibration proof.
- No special preparation of the stripped conductor.
- Guaranteed constant low resistance connection.

INSTALLATION



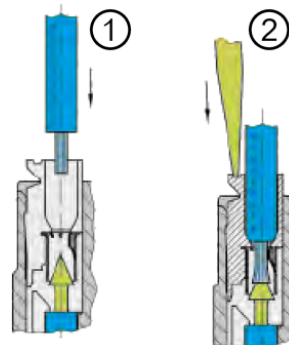
Screwdriver width: 3.0 x 5.0mm
Wire stripping length: 0.25 - 0.35" (7 - 9mm)

QUICK LOCK® TERMINAL



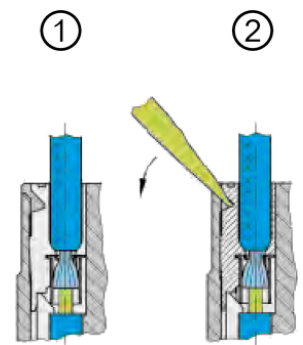
- Works with standard wires from 14-20 AWG.
- Fast, simple and robust termination technique.
- No special tool required.
- Vibration proof.
- No special preparation of the stripped conductor.
- Guaranteed constant low resistance connection.

INSTALLATION



Screwdriver width: 3.0 x 5.0mm
Wire stripping length: 0.4" (10mm)

REMOVAL



PLASTIC PROCESS EQUIPMENT, INC.

8303 CORPORATE PARK DRIVE
MACEDONIA, OHIO 44056
216-367-7000 • FAX: 216-367-7022
TOLL FREE: 800-321-0562

6385 MONTESSOURI STREET
LAS VEGAS, NEVADA 89113
702-433-6385 • FAX: 702-433-6388
TOLL FREE: 800-258-8877

www.ppe.com
e-mail: sales@ppe.com

Toll Free: USA, Canada & Mexico
800-362-0706

Order Fax: 800-223-8305