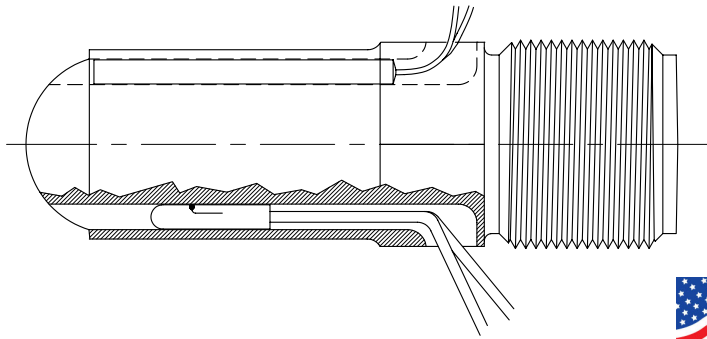




# CARTRIDGE TYPE THERMOCOUPLES

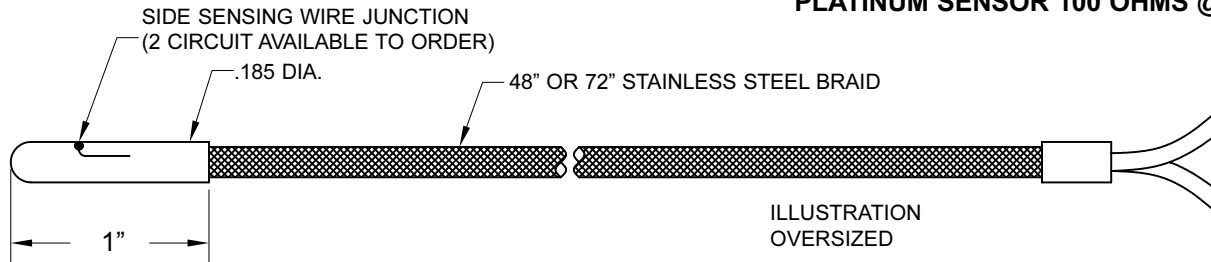
## SIDE SENSING DESIGN FOR CARTRIDGE HEATED NOZZLES OR OTHER DRILLED HOLE APPLICATIONS



PPE Model CTC-1 cartridge type thermocouple has been designed for the use primarily with our cartridge heated nozzles where temperature measurement was desired at various positions over the length of the nozzle. The unique side sensing junction eliminates the need to bottom the T.C. in a blind hole for temperature readings. It can be used in nozzles, molds, dies, etc.. It requires a .1875 dia. hole.



**TYPE J = IRON/CONSTANTAN**  
**TYPE K = CHROMEL/ALUMEL**  
**TYPE RTD = 2 WIRE 0.00385 CURVE,**  
**PLATINUM SENSOR 100 OHMS @ 0°C**



### PRICES

PART NO.	DESCRIPTION	QUANTITY PRICING	
		1-9	10+
CTC-148	TYPE J CARTRIDGE T.C. 3/16" DIA. x 48" S.S. LEADS	\$8.15	\$7.85
CTC-172	TYPE J CARTRIDGE T.C. 3/16" DIA x 72" S.S. LEADS	\$10.85	\$10.45
CTCK-148	TYPE K CARTRIDGE T.C. 3/16" DIA x 48" S.S. LEADS	\$10.15	\$9.75
CTCK-172	TYPE K CARTRIDGE T.C. 3/16" DIA x 72" S.S. LEADS	\$13.85	\$13.30
CTC-148RTD	RTD CARTRIDGE SENSOR, 3/16" DIA x 48" S.S. LEADS	\$39.20	\$37.75
CTC-172RTD	RTD CARTRIDGE SENSOR, 3/16" DIA x 72" S.S. LEADS	\$44.15	\$42.60

LONGER STAINLESS STEEL BRAIDED LEADS AVAILABLE, SPECIFY LENGTH AND ADD PER FOOT - TYPE J= ..... \$1.45 ft.  
 LONGER STAINLESS STEEL BRAIDED LEADS AVAILABLE, SPECIFY LENGTH AND ADD PER FOOT - TYPE K= ..... \$1.70 ft.  
 LONGER STAINLESS STEEL BRAIDED LEADS AVAILABLE, SPECIFY LENGTH AND ADD PER FOOT - TYPE RTD= ..... \$2.10 ft.



## PLASTIC PROCESS EQUIPMENT, INC.

www.ppe.com • e-mail: sales@ppe.com

**PPE WEST** 6385 Montessouri Street, Las Vegas, Nevada 89113  
 702-433-6385 • 800-258-8877 • Fax: 702-433-6388

**PPE SOUTH** 11218 Challenger Avenue, Odessa, Florida 33556  
 727-834-8888 • 800-282-6783 • Fax: 727-834-8873

8303 CORPORATE PARK DRIVE, MACEDONIA (Cleveland), OHIO 44056, USA

216-367-7000 • Toll Free: 800-321-0562 • Fax: 216-367-7022 • Order Fax: 800-223-8305

Toll Free: USA, Canada & Mexico  
**800-362-0706**