



# TERMINAL BOXES & CONNECTORS



## TERMINAL BOXES FOR MOLD POWER INPUT CONNECTORS



Part No.	Zones	"X"	"Y"	Price
PIC512TB	5,8,12	4.25	4.87	\$59.80
PICH23TB	2,3	4.99	5.61	\$78.50
PICH56TB	5,6	6.05	6.67	\$80.00

## TERMINAL BOXES FOR THERMOCOUPLE CONNECTORS



Part No.	Zones	"X"	"Y"	Price
MTC5TB	5	4.25	4.87	\$59.80
MTC8TB	8	4.99	5.61	\$62.80
MTC12TB	12	6.05	6.67	\$64.45

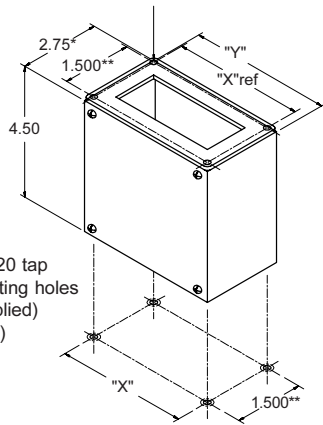
## COMBINATION TERMINAL BOXES FOR MOLD POWER INPUT AND THERMOCOUPLE CONNECTORS



Part No.	Zones	"X"	"Y"	Price
PTC5TB	5	8.03	8.65	\$60.00
PTC8TB	8	8.84	9.46	\$69.25
PTC12TB	12	9.90	10.53	\$83.25
PTCH23TB	2,3	9.90	10.53	\$85.20
PTCH56TB	5,6	10.43	11.06	\$87.10

### Terminal Box Dimensions

(4) holes in top plate may be used as a template for mounting holes



\*2.75 dimension is 4.50 for PICH56TB & PTCH56TB.  
\*\*1.500 dimension is 3.250 for PICH56TB & PTCH56TB.



### MOLD POWER/INPUT CONNECTORS

Part No.	Zones	Amps	Price
PIC5	5	15	\$43.10
PIC8	8	15	\$49.20
PIC12	12	15	\$58.35
PICH23	2,3	30	\$90.20
PICH5	5	30	\$179.10
PICH6	6	30	\$188.50

### THERMOCOUPLE CONNECTORS



Part No.	Zones	Price
MTC5	5	\$50.80
MTC8	8	\$59.00
MTC12	12	\$68.80

## TERMINAL BOXES FOR SINGLE, DUAL & TRI-ZONE CONNECTORS



Part No.	Used with Part Numbers	Accepts Connectors	Price
PTC1TB	PIM1B15, PIM2B10, MFP1, MFLD1C5	One 5 Pin (CKPT1C1)	\$54.00
PTC2TB	MFFMP2, MFPR2	Two 5 Pin (CKPT1C1)	\$56.00
PTC3TB	MFLD3N5, MFLD3C5	Three 5 Pin (CKPT1C1)	\$58.00
MTC8TB	MFLD3NP, MFLD3CP	Tri-Zone (TPT03)	\$62.80

## SINGLE, DUAL & TRI-ZONE CONNECTORS



Part No.	Zones	Price
CKPT1C1	1,2,3	\$14.10
TPT03	3	\$60.50



## PLASTIC PROCESS EQUIPMENT, INC.

8303 CORPORATE PARK DRIVE  
MACEDONIA, OHIO 44056-2300  
216-367-7000 • FAX: 216-367-7022  
TOLL FREE: 800-321-0562

6385 MONTESSOURI STREET  
LAS VEGAS, NEVADA 89113-1186  
702-433-6385 • FAX: 702-433-6388  
TOLL FREE: 800-258-8877

www.ppe.com  
e-mail: sales@ppe.com

Toll Free: USA, Canada & Mexico  
**800-362-0706**

Order Fax: 800-223-8305